



SILENT BASE 600

UNIQUE PERFORMANCE AND USABILITY

IDEAL APPLICATIONS

High resolution gaming and multimedia systems
Overclocked systems
Superior quiet PC systems

HIGHLIGHTS

Intelligent airflow for excellent cooling performance
Unique concept for well-known be quiet! silence
Two pre-installed be quiet! Pure Wings 2 fans
Extensive capacity for high-end hardware
Easy tool-free fitting and cable management

Unique Performance and Usability

be quiet! Silent Base 600 Window offers the perfect symbiosis of noise prevention and cooling performance, a good usability and an extensive capacity for high-end hardware.

Highlights »

- Outstanding performance thanks to an innovative construction that assures excellent cooling efficiency and a perfect air-circulation at well-known whisper-quiet operation
- Excellent usability with simplest mounting and tool-free fitting of drives, an intelligent and adaptable cable solution, and air intake filters that are easily accessed for cleaning
- Ample space and cutouts are provided for high-end components of today and tomorrow, including space for water cooling radiators
- Two pre-installed Pure Wings 2 fans feature nine airflow-optimized fan blades and are decoupled from the case to circulate air with a minimum of vibration and the quietest possible operation; 3-step fan controller included
- Side panel with double-glazed window provides a perfect view inside the PC system; the window is made from scratch and impact resisting material and offers a superb soundproofing
- Professional cable management is supported with generous space for organizing cables, silicone rubber grommets, and carefully placed pass-throughs
- Product conception, design and quality control in Germany
- 3-years manufacturer's warranty

Silent Base 600 Window »

The design team's mission was based on the principle "form follows function", and so every last detail in the Silent Base 600's design has a functional purpose. It is truly a superior case ideal for high-end gaming gear and quiet systems.

+ NOISE INSULATION

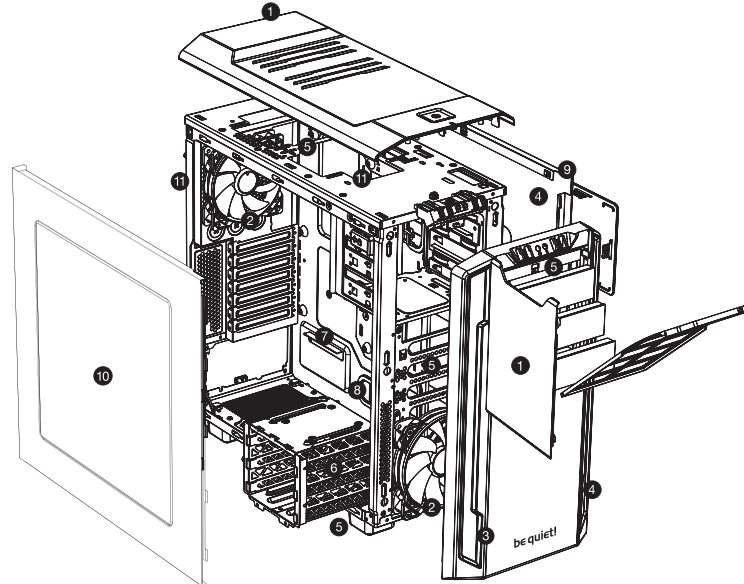
+ AIRFLOW CONTROL

+ TOOL-FREE FITTING

SILENT BASE 600

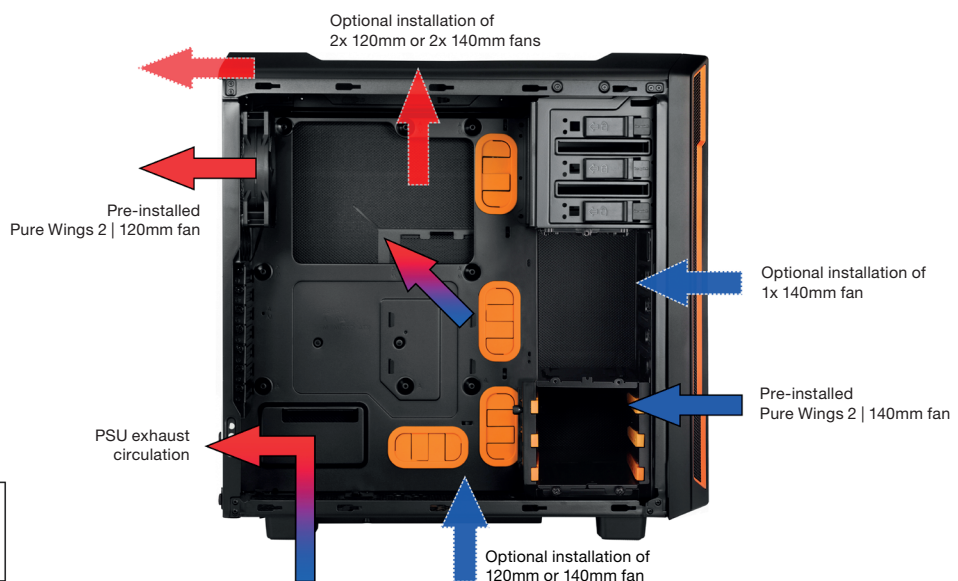
UNIQUE PERFORMANCE AND USABILITY

Features »



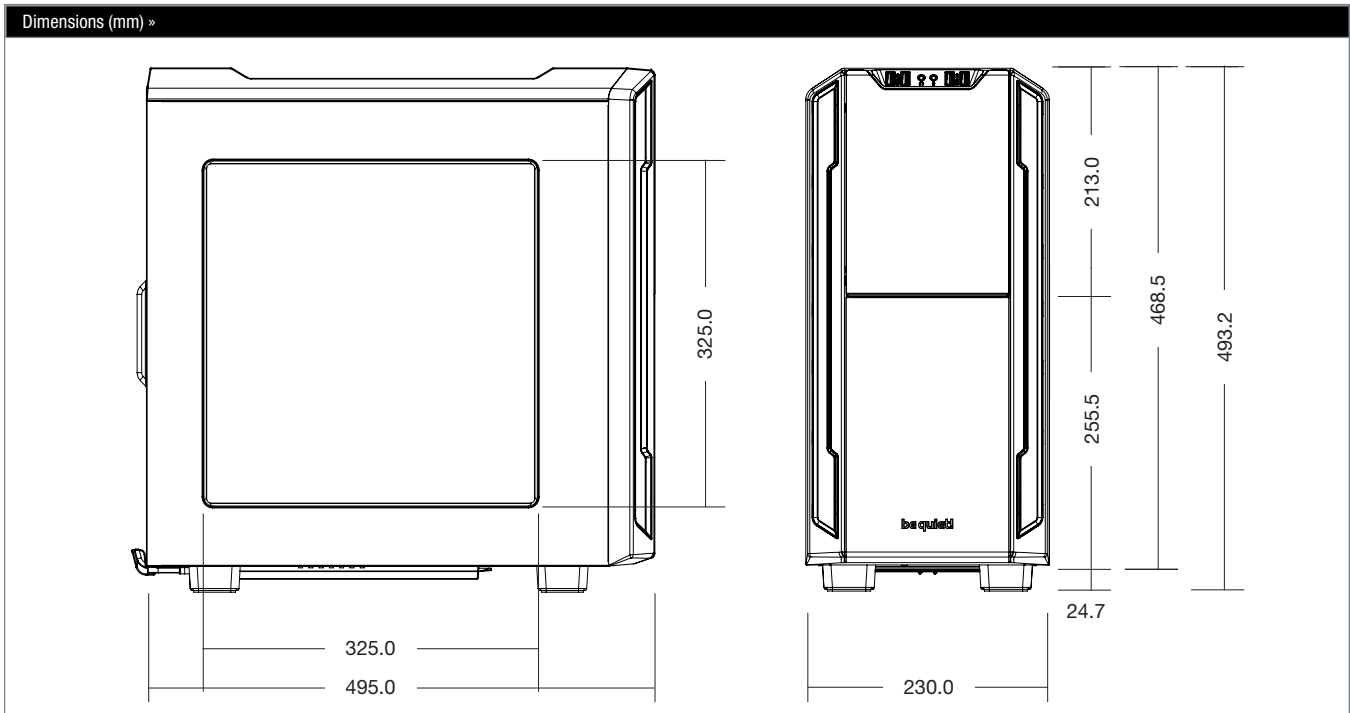
- ① Top and front covers as well as side panels maximize cooling and quietness, permit intake of fresh air yet resist the escape of noise.
- ② One decoupled Pure Wings 2 140mm front intake fan and one decoupled Pure Wings 2 120mm rear exhaust fan for outstanding cooling performance.
- ③ Airflow follows clear path to quietly and efficiently lower system temperatures. All exhaust air is directed to the rear to minimize noise experience.
- ④ Sound insulated side and front panel
- ⑤ Design supports installation of up to four additional cooling fans. Integrated 3-step fan controller.
- ⑥ Rubber rails for disk drives reduce vibration and allow fast and secure HDD mounting. Completely tool-free HDD and SSD installation.
- ⑦ Motherboard tray features large cutouts for the CPU cooler backplate, supporting present and future CPU socket designs.
- ⑧ Professional cable management is optimized by rubber grommets on motherboard tray.
- ⑨ Side panel design provides ample space behind the motherboard tray for professional cable management, also allowing to fit high-end hardware.
- ⑩ Side panel with double-glazed window made from scratch and impact resistant material for superb sound insulation.
- ⑪ Chassis is liquid-cooling ready, specially designed areas to support radiators.

Airflow »



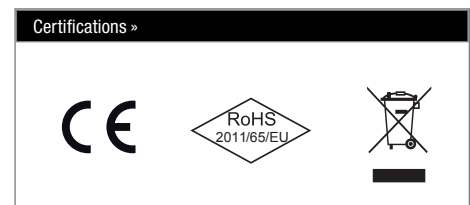
SILENT BASE 600

UNIQUE PERFORMANCE AND USABILITY



General Data Case »	
Form factor / Motherboard compatibility	ATX / ATX, Micro-ATX, Mini-ITX
Case size (L x W x H in mm)	495 x 230 x 493
Material	0.7mm steel, ABS plastic, Nylon
Weight incl. package / without package (kg)	9.7 / 8
I/O Panel	2x USB 3.0, 2x USB 2.0, HD Audio (mic + headphone jacks)
Expansion slots (pcs.)	7
Drive Bay Capacity »	
5.25	3
3.5	3
2.5	3
Cooling System »	
Pre-installed fans (mm / rpm)	1x 140 / 900 @ front 1x 120 / 1,200 @ rear
Optional fans (mm)	2x 140/120 @ top 1x 140/120 @ bottom 1x 140 @ front
Optional liquid cooling system (radiotor in mm)	1x 120/140 @ front 1x 120 @ rear 1x 240/280 slim type (top)
Cooling solutions	Air channels (top and front) 3-step fan controller
Maximum Dimensions »	
CPU cooler (mm)	167
PSU (without bottom fan)	290
Graphics card (standard)	290
Graphics card (w/o middle HDD cage)	400
Insulation and Damping »	
Front panel / Side panel insulation mats	✓
Anti-vibration decoupled HDD / fan / PSU	✓

Color Options »		
Silent Base 600	Art. no	EAN code
Orange	BGW05	4260052184455
Black	BGW06	4260052184462
Silver	BGW07	4260052184479
Red	BGW08	4260052184714
Green	BGW09	4260052184721



Contact »
Service Hotline: +49 40 7367 686 44 (Mondays to Fridays from 9:00am to 5:30pm CET)
Mail: service@bequiet.com