



## Hyper TX3i



The Hyper TX series has evolved along with the requirements of mainstream CPUs. The launch of Hyper TX3i marks another milestone with Cooler Master's Improved Direct Contact technology, further improving cooling performance.

### Product Features

- 3 direct contact heat pipes with a base that is engineered to minimize CPU contact gaps – providing excellent heat conduction.
- Option for adding 2nd fan with quick-snap fan brackets to increase cooling performance.
- All-in-one mounting solution supporting Intel® LGA 1150 / 1151 / 1155 / 1156 / 775
- A mere 17 dBA (minimum speed) is accomplished by utilizing a silent 92mm PWM fan with a wide RPM range.

### Package Information

EAN Code	4719512049587
UPC Code	884102027505
Package Dimensions	149 x 104 x 210 mm (5.9 x 4.1 x 8.3 inch)
Carton Dimensions	545 x 315 x 249 mm (21.5 x 12.4 x 9.8 inch)
Unit / Carton	10 pcs
Carton / Pallet	48 pcs

### Specification

<b>CPU Socket</b>	Intel LGA 1151/1150/1156/1155/775
<b>Dimensions</b>	90 x 79 x 136 mm (3.5 x 3.1 x 5.4 in)
<b>Heatsink Dimensions</b>	90 x 51 x 136 mm (3.5 x 2.0 x 5.4 in)
<b>Heatsink Material</b>	3 Direct contact heatpipes / Aluminum fins
<b>Heatsink Weight</b>	306g (0.68 lb)
<b>Heatpipe Dimensions</b>	Ø6 mm
<b>Fan Dimensions</b>	92 x 92 x 25 mm (3.6 x 3.6 x 1 in)
<b>Fan Speed</b>	800 - 2,200 RPM (PWM) ± 10%
<b>Fan Air Flow</b>	15.7 - 43.1 CFM (26.7 - 70.17 m³/h) ± 10%
<b>Fan Air Pressure</b>	0.35 - 2.63mm H2O ± 10%
<b>Fan Life Expectancy</b>	40,000 hours
<b>Noise Level</b>	17 ~ 30 dBA
<b>Bearing Type</b>	Long Life Sleeve Bearing
<b>Connector</b>	4-Pin
<b>Rated Voltage</b>	12 VDC
<b>Rated Current</b>	0.15A
<b>Power Consumption</b>	1.8W
<b>Fan Weight</b>	73g
<b>Warranty</b>	2 years



Make It Yours.



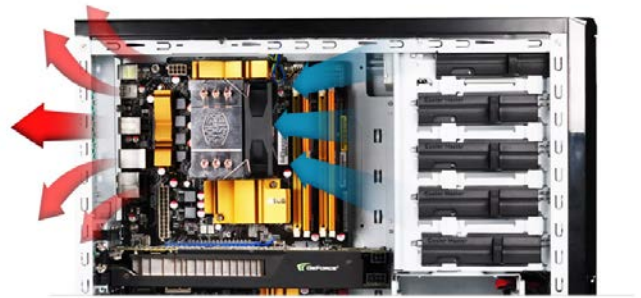
Aluminum fins with 3 direct contact heat pipes provide excellent heat dissipation.



Increase cooling performance by adding an optional second 92mm fan.



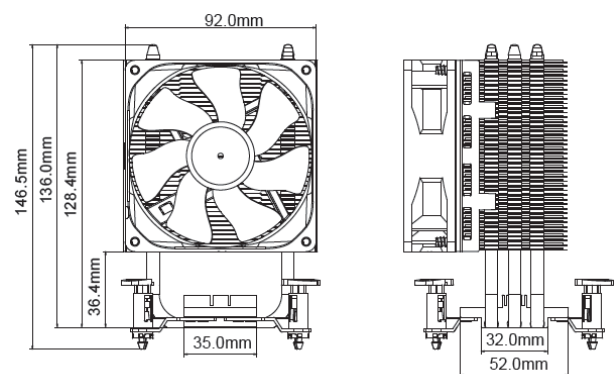
92mm PWM fan with anti-vibration rubber pads and a quick-snap cover for easy fan installation.



Excellent airflow design with compact heat sink dimension



Compatible with Intel® Socket LGA 115X/775



Compact size