

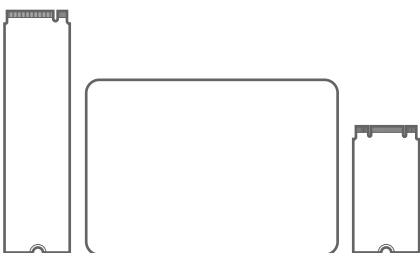
Embedded Solutions

PCIe / SATA III M.2 SSD

Designed specifically for high-end applications, Transcend's M.2 SSD with PCIe/SATA III interface and ultra compact dimensions, best suited to address the high-performance needs and strict size limitations of small form factor devices. These M.2 SSDs feature cutting-edge technology and quality flash memory for enhanced product lifespan and data retention. With a powerful controller and never-before-seen transfer speeds, the M.2 SSDs easily handle everyday computing tasks as well as demanding multimedia applications.

Features

- Fully compatible with PCIe / SATA M.2 standards
- Built-in ECC and Wear-leveling algorithm ensure reliable data transfer
- Supports partial, slumber, and DEVSLP mode
- 3D NAND flash for high performance and endurance
- Optional support for write protect and hardware purge security functions



Specifications

	MTE510T	MTE550T	MTS530T	MTS550T	MTS930T	MTS950T
Interface	NVMe PCIe Gen3 x4			SATA III 6Gb/s		
Flash Type	3D TLC					
Connector	M.2 module notch M			M.2 module notch B+M		
Form Factor	M.2 Type 2280-D2-M		M.2 Type 2242-D2-B-M		M.2 TYPE 2280-S2-B-M	
Capacity	128GB~1TB	128GB~256GB		64GB~256GB		
Sequential Read*	1,800 MB/s	1,800 MB/s	520 MB/s	560 MB/s	550 MB/s	
Sequential Write*	1,500 MB/s	800 MB/s	360 MB/s	350 MB/s	500 MB/s	
Operating Temperature	0°C~70°C					
Storage Temperature	-40°C~85°C					
Humidity	0%~95%		5%~95%		0%~95%	
Shock	1500G, 0.5ms, 3 axis					
Vibration	3G, 5Hz to 800Hz (operating) / 5G, 5Hz to 800Hz (non-operating)			20G, 5Hz to 800Hz		
Operating Voltage	3.3V±5%					
Power Consumption	5.8W (active), 0.165W (idle)		1.46W (active), 0.51W (idle)	2.15W (active), 0.47W (idle)	1.55W (active), 0.28W (idle)	
Dimensions (max.)	22.0 x 80.0 x 3.58mm		22.0 x 42.0 x 3.58mm		22.0 x 80.0 x 3.58mm	
MTBF	1,500,000 hours			1,000,000 hours		
Warranty	Three-year Limited Warranty					

*Maximum performance shown. Performance varies by capacity, user hardware, and system configuration.

Ordering Information

MTE510T	TS128GMTE510T	128GB	MTS550T	TS64GMTS550T	64GB
	TS256GMTE510T	256GB		TS128GMTS550T	128GB
	TS512GMTE510T	512GB		TS256GMTS550T	256GB
	TS1TMTE510T	1TB			
MTE550T	TS128GMTE550T	128GB	MTS930T	TS64GMTS930T	64GB
	TS256GMTE550T	256GB		TS128GMTS930T	128GB
				TS256GMTS930T	256GB
MTS530T	TS64GMTS530T	64GB	MTS950T	TS64GMTS950T	64GB
	TS128GMTS530T	128GB		TS128GMTS950T	128GB
	TS256GMTS530T	256GB		TS256GMTS950T	256GB
		TS512GMTS950T		512GB	

Other capacities available by request.

Tailored Options Available



Intelligent Power Shield



AES Encryption



Underfill

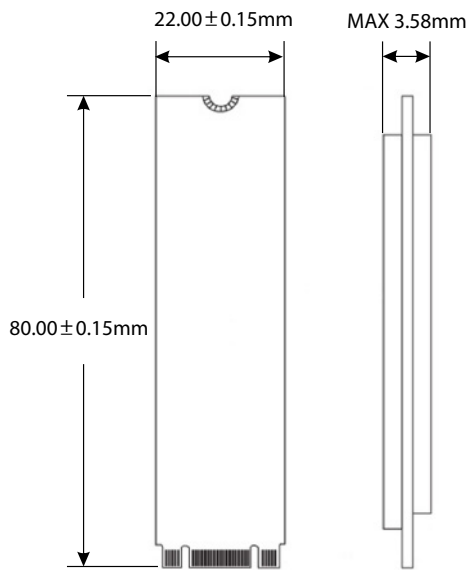


Conformal Coating

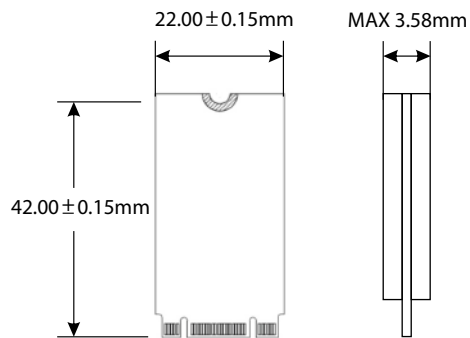


Mechanical Dimensions

MTE510T/MTE550T/MTS930T/MTS950T



MTS530T/MTS550T



Tailored Options Available



Intelligent Power Shield



AES Encryption



Underfill



Conformal Coating

