

GROOVI RIPPLE

TP-LINK®
The Reliable Choice



For more troubleshooting help, go to
<http://www.tp-link.com>

7106505630 REV1.0.0

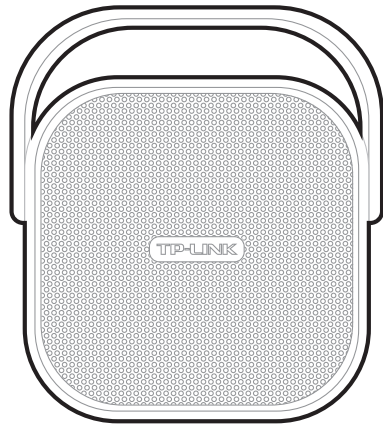
Caution:

- 1) Photos are for reference only, actual product may vary.
- 2) TP-LINK is committed to improving product quality and performance, but product technology and design are subject to change without prior notice.

Important Safety Instructions

1. Please carefully read and follow the safety instructions before using the product.
2. Please avoid leaving the product in a damp environment, exposing it to sunlight, or placing it near fire.
3. Please do not use the product near water.
4. Please do not place the product near heat-generating appliances such as a radiator, air conditioner, or stove.
5. Please use the recommended power voltage.
6. Please do not disassemble the product without authorization.
7. Explosion may occur if battery is replaced incorrectly. Please replace battery only with the same or equivalent type.
8. Please avoid leaving the product exposed to sunlight, rain, water droplets, or a hot or moist environment.
9. Please enjoy the music at an appropriate volume to protect your health and sound equipment.
10. Please unplug the charging cable when it is not in use.

Contents in the Box



Groovi Ripple

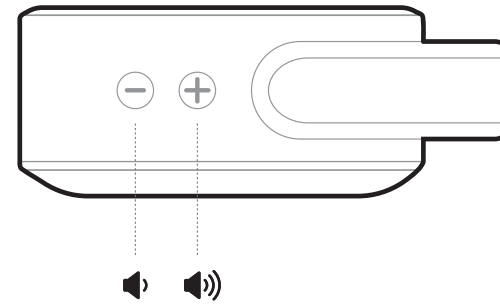
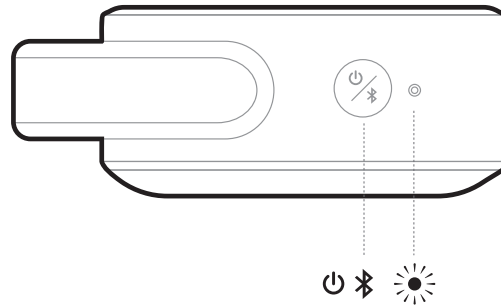


Charging Cable



User Manual


Control and connect



 Power / Bluetooth Button

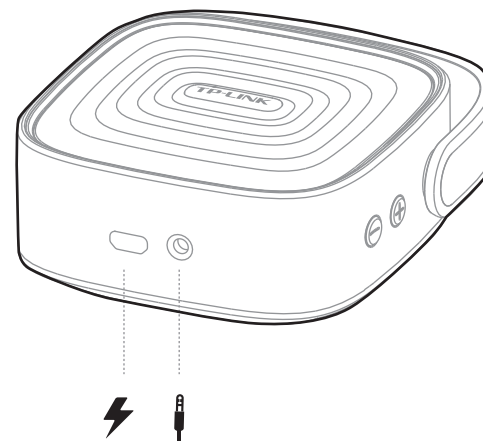
 Indicate LED

 Vol - Button

 Vol + Button

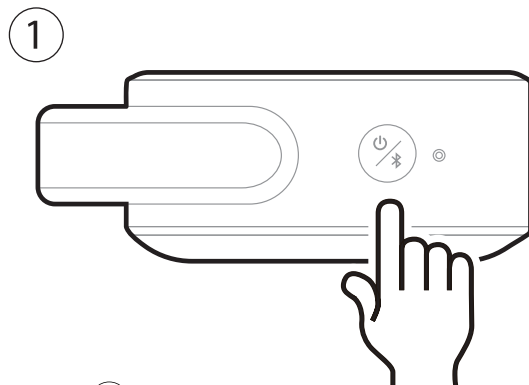
 Micro USB Charging Port


 3.5mm Audio Input Interface

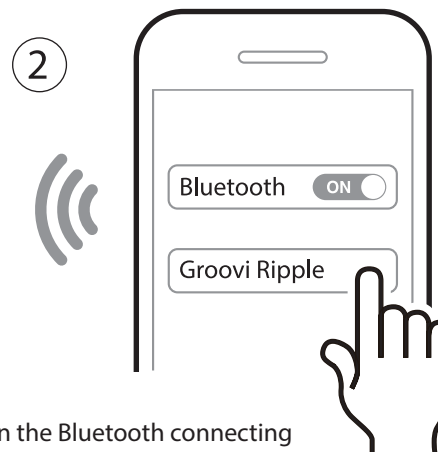


Connect to device - Option 1

Bluetooth Pairing







Press  and wait for 2-3 seconds.
(The blue LED will blink and enter pairing standby mode)



In the Bluetooth connecting settings of the Bluetooth device, select to connect with "Groovi Ripple".

LED Indication

| |  Blue |  Red |
|--|--|---|
|  Light On | Bluetooth Connected | Battery Charging |
|  Blinking | Pairing Mode | Low Battery |

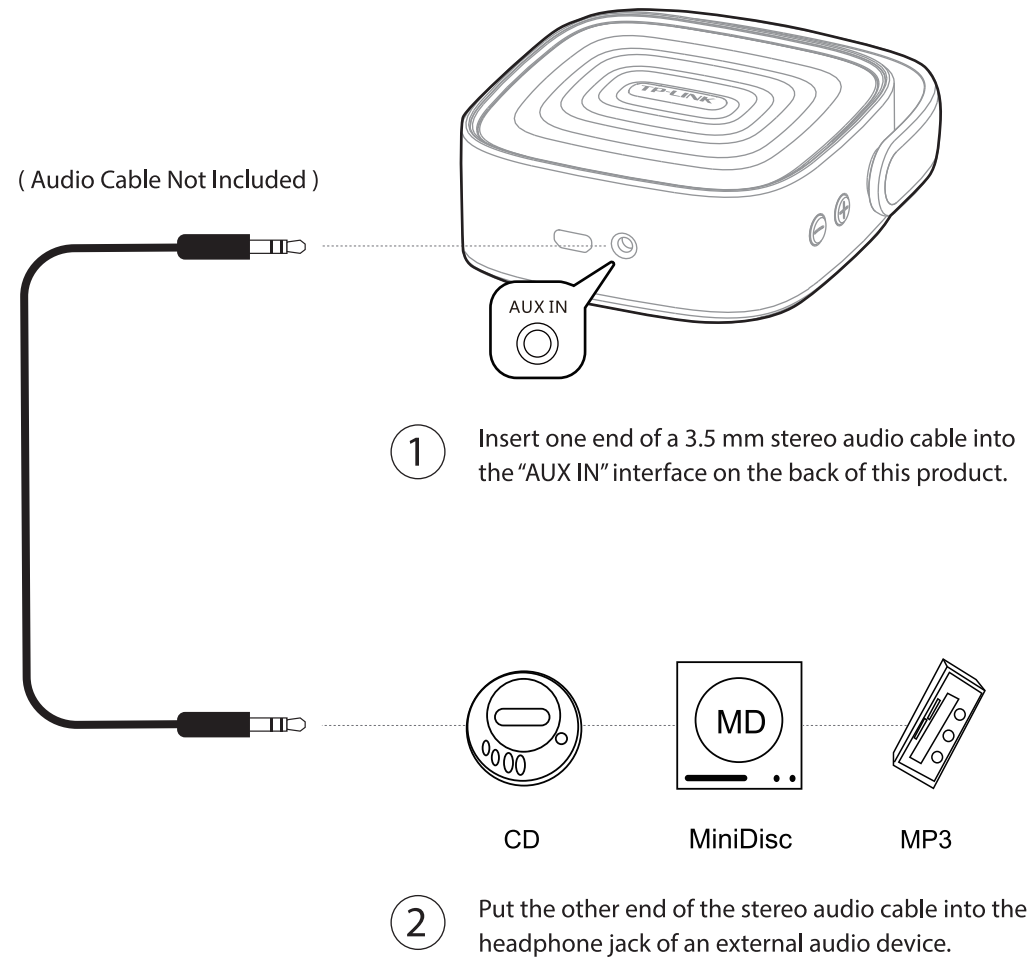
Attention

To connect the product to another Bluetooth device, you must first disconnect the current Bluetooth connection. Long Press Power button to enter a new device searching and pairing mode.

When the product is restarted, it will automatically reconnect to the previously paired device by default. If the automatic connection fails, you need to do the connection manually.

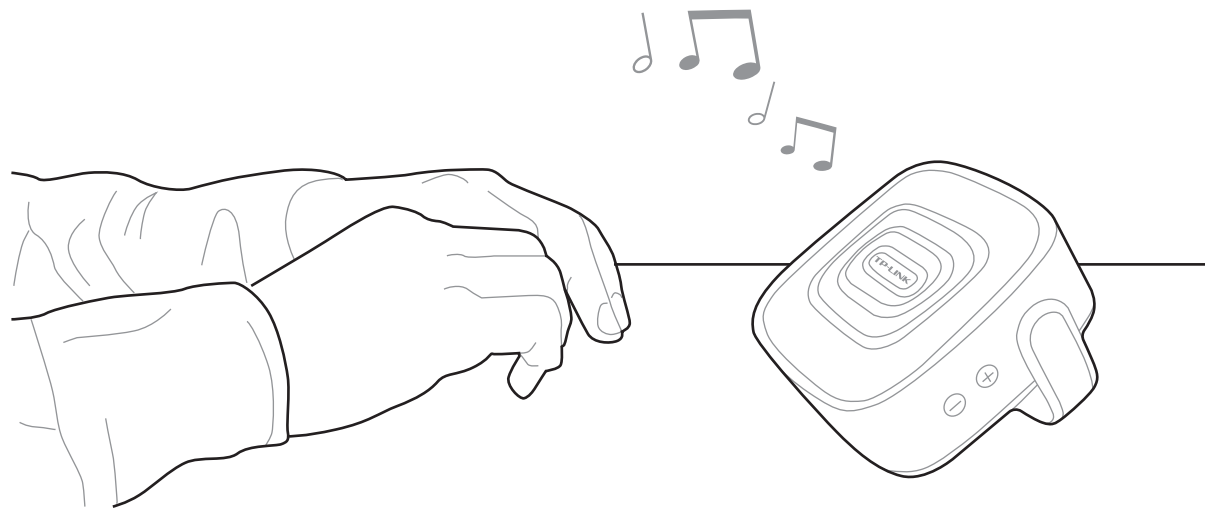
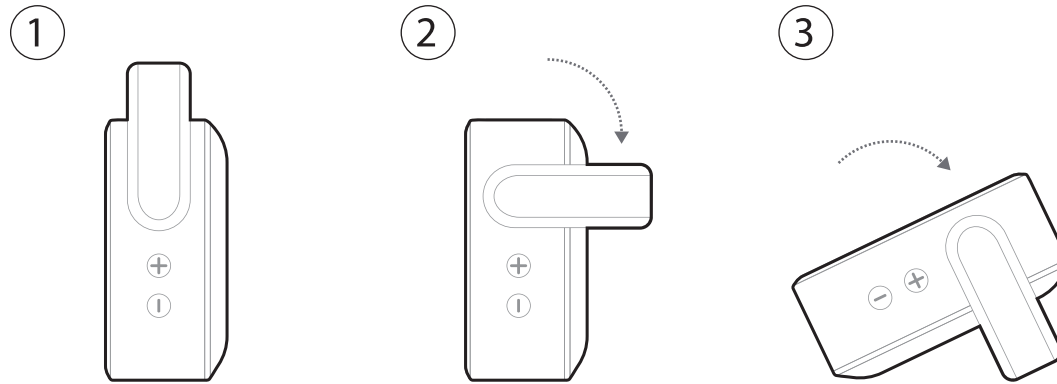
Connect to device - Option 2

AUX IN Mode Instructions



Smart handle function

▶ Stand & Play



Product detail

Specification

| | |
|------------------------|--|
| Bluetooth version | 4.0 |
| Support | A2DP V1.2 |
| Frequency response | 120Hz-20KHz |
| Signal-to-noise ratio | >65dB |
| Battery type | Lithium-ion polymer |
| Battery capacity | 3.7V 750mAh |
| Battery charge voltage | 5V 500mA |
| Battery charge time | Approx. 2 hours |
| Music playing time | Approx. 4 hours (Varies by volume level and audio content) |
| Mobile range | Up to 20 meters (66 feet) |
| Dimensions (LxWxD) | 4.1 x 3.7 x 1.5 in (103 x 94 x 37mm) |
| Weight | 175g (speaker only) |
| Compatibility | Smartphones, tablets and other devices that support Bluetooth® wireless audio profile [Advanced Audio Distribution Profile (A2DP)] |

FCC

THIS DEVICE COMPLIES WITH PART 15 OF THE FCC RULES AND INDUSTRY CANADA LICENSE-EXEMPT RSS STANDARD(S). OPERATION IS SUBJECT TO THE FOLLOWING TWO CONDITIONS: (1) THIS DEVICE MAY NOT CAUSE HARMFUL INTERFERENCE, AND (2) THIS DEVICE MUST ACCEPT ANY INTERFERENCE RECEIVED, INCLUDING INTERFERENCE THAT MAY CAUSE UNDESIRE OPERATION.

THE MANUFACTURER IS NOT RESPONSIBLE FOR ANY RADIO OR TV INTERFERENCE CAUSED BY UNAUTHORIZED MODIFICATIONS OR CHANGE TO THIS EQUIPMENT. SUCH MODIFICATIONS OR CHANGE COULD VOID THE USER'S AUTHORITY TO OPERATE THE EQUIPMENT.

IC

Note : Cet appareil est conforme à la Partie 15 des règlements de la FCC et aux normes RSS de l'Industrie du Canada. Son fonctionnement est soumis aux deux conditions suivantes : (1) cet appareil ne doit pas causer des interférences nuisibles, et (2) cet appareil doit accepter toute interférence reçue, y compris les interférences qui peuvent provoquer un fonctionnement indésirable.

Le fabricant n'est pas responsable des toutes interférences radio ou télévision causées par des modifications non autorisées apportées à cet appareil. De telles modifications peuvent empêcher l'utilisateur d'utiliser l'appareil.

This radio transmitter (identify the device by certification number or model number if Category II) has been approved by Industry Canada to operate with the antenna types listed below with the maximum permissible gain indicated. Antenna types not included in this list, having a gain greater than the maximum gain indicated for that type, are strictly prohibited for use with this device.

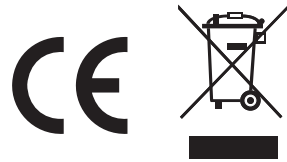
Le présent émetteur radio (identifier le dispositif par son numéro de certification ou son numéro de modèle s'il fait partie du matériel de catégorie II) a été approuvé par Industrie Canada pour fonctionner avec les types d'antenne énumérés ci-dessous et ayant un gain admissible maximal. Les types d'antenne non inclus dans cette liste, et dont le gain est supérieur au gain maximal indiqué, sont strictement interdits pour l'exploitation de l'émetteur.

| Antenna Type | Max. Antenna Gain(dBi) |
|---------------------|------------------------|
| PCB printed antenna | 0 |

CE

Hereby, Shenzhen 3nod Digital Technology Co., Ltd., declares that this Groovi Ripple is in compliance with the essential requirements and other relevant provisions of Directive 1999/5/EC.

Environment friendly disposal



You can help protect the environment!
Please remember to respect the local regulations:
hand in the non-working electrical equipments to an
appropriate waste disposal centre.