

be quiet!

GERMANY'S
#1
IN POWER SUPPLIES
SINCE 2006*

DARK POWER PRO 11

LEGENDARY SILENCE, CUTTING EDGE PERFORMANCE

1200W • 1000W • 850W • 750W • 650W • 550W

IDEAL APPLICATIONS

Advanced, high-resolution gaming
Overclocked systems
Multi-GPU workstations
3D graphics, photo and video editing

HIGHLIGHTS

Virtually inaudible SilentWings® 3 135mm fan
80PLUS® Platinum (up to 94% efficiency)
Overclocking key for multi- or single-rail use
Top performance and stability for CPU and GPU

Legendary Silence, Cutting Edge Performance

Dark Power Pro 11 is be quiet!'s most advanced PSU series ever, delivering 80PLUS® Platinum efficiency, effortless Quad-GPU support, and unmatched silence.

Highlights »

- 80PLUS® Platinum efficiency (up to 94%) and unmatched power stability
- Virtually inaudible SilentWings® 3 135mm fan with fluid-dynamic bearing
- 6-pole fan motor and IC motor control for smooth low-speed operation and reduced noise
- Large funnel-shaped fan intake facilitates high airflow with less turbulence
- Isolation sleeve reduces transmission of vibrations to case
- Overclocking key switches between four 12V-rails and one massive 12V-rail
- User-friendly cable management reduces clutter, improves cooling
- Premium 105°C-rated capacitors maximize reliability
- Intelligent control for up to 4 case fans
- 5-years manufacturer's warranty
- Product conception, design and quality control in Germany

Dark Power Pro 11 »

Choose Dark Power Pro 11 and get the most technologically-advanced PSU be quiet! has ever built.

+ SILENT WINGS

+ CABLE MANAGEMENT



*According to the yearly PC Games Hardware's „Manufacturer of the year“ election (2006-2014) and market data from GfK (2007-2015).

DARK POWER PRO 11

LEGENDARY SILENCE, CUTTING EDGE PERFORMANCE

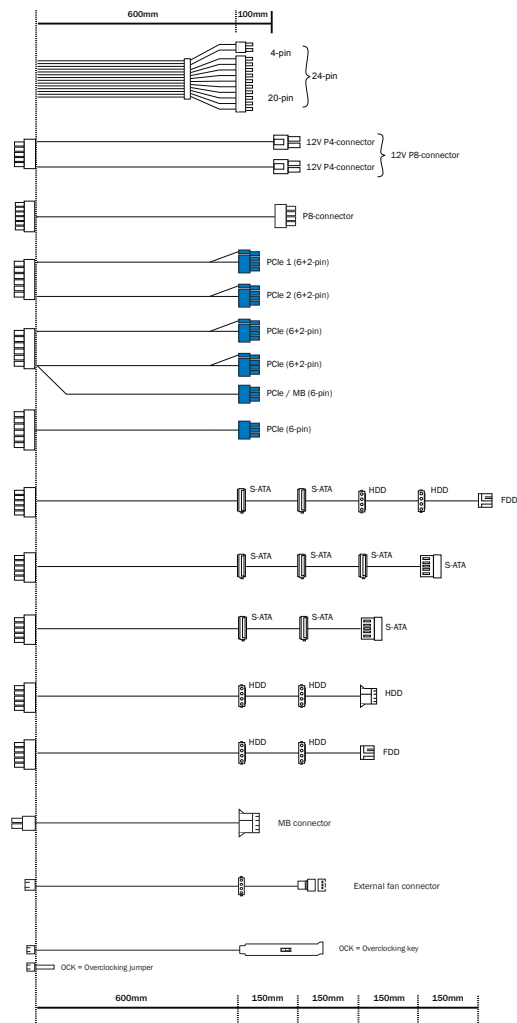
Technical Data »							
IN GENERAL	Model	1200W	1000W	850W	750W	650W	550W
	Article no.	BN255	BN254	BN253	BN252	BN251	BN250
	EAN code	4260052183809	4260052183793	4260052183786	4260052183779	4260052183762	4260052183755
	Voltage / Frequency	110-240Vac / 50-60Hz	100-240Vac / 50-60Hz	100-240Vac / 50-60Hz	100-240Vac / 50-60Hz	100-240Vac / 50-60Hz	100-240Vac / 50-60Hz
	ATX 12V 2.4 / EPS 12V 2.92	✓ / ✓	✓ / ✓	✓ / ✓	✓ / ✓	✓ / ✓	✓ / ✓
	Dimensions (L x W x H)	193 x 150 x 86	193 x 150 x 86	193 x 150 x 86	180 x 150 x 86	180 x 150 x 86	180 x 150 x 86
	SilentWings® 3 fan (mm)	135	135	135	135	135	135
	Noise level (dB(A)) at 20 / 50 / 100% load	10.9 / 11.5 / 27.9	10.2 / 10.4 / 26.3	10.4 / 10.4 / 20.1	8.7 / 9.5 / 19.9	9.2 / 10 / 14.6	8.7 / 8.9 / 10.1
	Efficiency (%) at 230V	up to 94	up to 94	up to 94	up to 94	up to 94	up to 94
	12V-rails	4	4	4	4	4	4
	Active PFC	✓	✓	✓	✓	✓	✓
	OCP, OVP, UVP, SCP, OPP, OTP	✓	✓	✓	✓	✓	✓
	Certifications	80PLUS® Platinum, AMD CrossFireX, NVIDIA SLI	80PLUS® Platinum, AMD CrossFireX, NVIDIA SLI	80PLUS® Platinum, AMD CrossFireX, NVIDIA SLI	80PLUS® Platinum, AMD CrossFireX, NVIDIA SLI	80PLUS® Platinum, AMD CrossFireX, NVIDIA SLI	80PLUS® Platinum
	Energy Star 6.0 compatible	✓	✓	✓	✓	✓	✓
ErP2014 ready	✓	✓	✓	✓	✓	✓	
Lifetime of PSU at 25°C (h)	150,000	150,000	150,000	180,000	180,000	180,000	
CABLES	No. of cables	19	19	19	19	17	17
	Maximum cable length (cm)	120	120	120	120	120	120
	Length of ATX-connection cable (cm)	60	60	60	60	60	60
	Modular cable management	✓	✓	✓	✓	✓	✓
	Sleeved cables	✓	✓	✓	✓	✓	✓
CONNECTORS	ATX-Mainboard (20+4-pin)	✓	✓	✓	✓	✓	✓
	PCI-Express (6+2-pin)	8	8	6	6	4	4
	PCI-Express (6-pin)	1	1	1	1	1	1
	P8-/P4-connector	1x P4+4 / 1x P8	1x P4+4 / 1x P8	1x P4+4 / 1x P8	1x P4+4 / 1x P8	1x P4+4 / 1x P8	1x P4+4 / 1x P8
	S-ATA (5-pin)	10	10	8	8	8	8
	P-ATA (4-pin)	7	7	7	7	5	5
	FDD (Floppy)	2	2	2	2	1	1

Output Data »											
DARK POWER PRO 11 1200W	AC Input	110-240Vac 50-60Hz 15-9A									
	DC Output	3.3V	5V	12V1	12V2	12V3	12V4	-12V	5VSB		
	Max. Current	25A	25A	35A	35A	45A	45A	0.5A	3A		
	Max. Combined Power	150W	1188W (peak 1284W/20ms)					6W	15W	1200W (peak 1300W/20ms)	
DARK POWER PRO 11 1000W	AC Input	100-240Vac 50-60Hz 14-8A									
	DC Output	3.3V	5V	12V1	12V2	12V3	12V4	-12V	5VSB		
	Max. Current	25A	25A	32A	32A	40A	40A	0.5A	3A	83A	
	Max. Combined Power	150W	996W					6W	15W	1000W	
DARK POWER PRO 11 850W	AC Input	100-240Vac 50-60Hz 13-7A									
	DC Output	3.3V	5V	12V1	12V2	12V3	12V4	-12V	5VSB		
	Max. Current	25A	25A	30A	30A	35A	35A	0.5A	3A	70A	
	Max. Combined Power	140W	840W					6W	15W	850W	
DARK POWER PRO 11 750W	AC Input	100-240Vac 50-60Hz 9-4.5A									
	DC Output	3.3V	5V	12V1	12V2	12V3	12V4	-12V	5VSB		
	Max. Current	25A	25A	25A	25A	30A	30A	0.5A	3A	62A	
	Max. Combined Power	140W	744W					6W	15W	750W	
DARK POWER PRO 11 650W	AC Input	100-240Vac 50-60Hz 8-4A									
	DC Output	3.3V	5V	12V1	12V2	12V3	12V4	-12V	5VSB		
	Max. Current	25A	25A	20A	20A	25A	25A	0.5A	3A	54A	
	Max. Combined Power	125W	648W					6W	15W	650W	
DARK POWER PRO 11 550W	AC Input	100-240Vac 50-60Hz 7-3.5A									
	DC Output	3.3V	5V	12V1	12V2	12V3	12V4	-12V	5VSB		
	Max. Current	25A	22A	20A	20A	25A	25A	0.5A	3A	45A	
	Max. Combined Power	140W	540W					6W	15W	550W	

DARK POWER PRO 11

LEGENDARY SILENCE, CUTTING EDGE PERFORMANCE

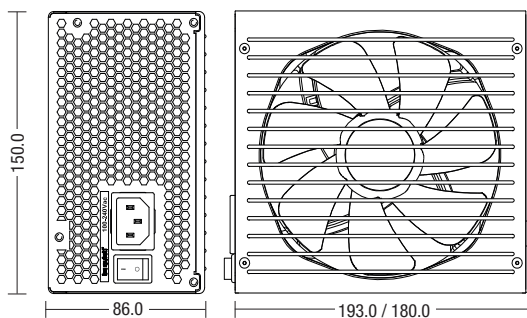
Cables »



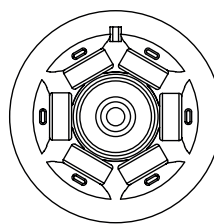
1200W	1000W	850W	750W	650W	550W
600mm	600mm	600mm	600mm	600mm	600mm
700mm	700mm	700mm	700mm	700mm	700mm
700mm	700mm	700mm	700mm	700mm	700mm
600mm 3x	600mm 3x	600mm 3x	600mm 3x	600mm 2x	600mm 2x
600mm	600mm	-	-	-	-
-	-	600mm	600mm	600mm	600mm
600mm*	600mm*	600mm*	600mm*	600mm*	600mm*
600mm* 2x	600mm* 2x	-	-	-	-
-	-	600mm* 2x	600mm* 2x	600mm* 2x	600mm* 2x
600mm*	600mm*	600mm*	600mm*	600mm*	600mm*
600mm*	600mm*	600mm*	600mm*	-	-
600mm	600mm	600mm	600mm	600mm	600mm
600mm* 4x	600mm* 4x	600mm* 4x	600mm* 4x	600mm* 4x	600mm* 4x
600mm	600mm	600mm	600mm	600mm	600mm

*cable length to first connector

Dimensions (mm) »



6-Pole Fan Motor »



6 poles contribute to:

- smoother transition between magnetic poles
- less vibration for quiet operation
- reduced power consumption
- low start-up voltage

Certifications »



Contact »

Service Hotline: +49 40 7367 686 44 (Mo-Fr. 9:00-17:30)
Mail: service@bequiet.com

+ SILENT WINGS



Virtually inaudible cooling for your system »

The fan quality is one of the main factors contributing to the noise level of your PC. As the German specialist for outstandingly quiet computer components we have more than 10 years of experience in the field of noise reduction. That knowledge allows us to produce the quietest fans on the market.

Look for the +SilentWings Logo. It indicates our products which include our state-of-the-art fan technology and enables the perfect balance between superior cooling and serenity.