



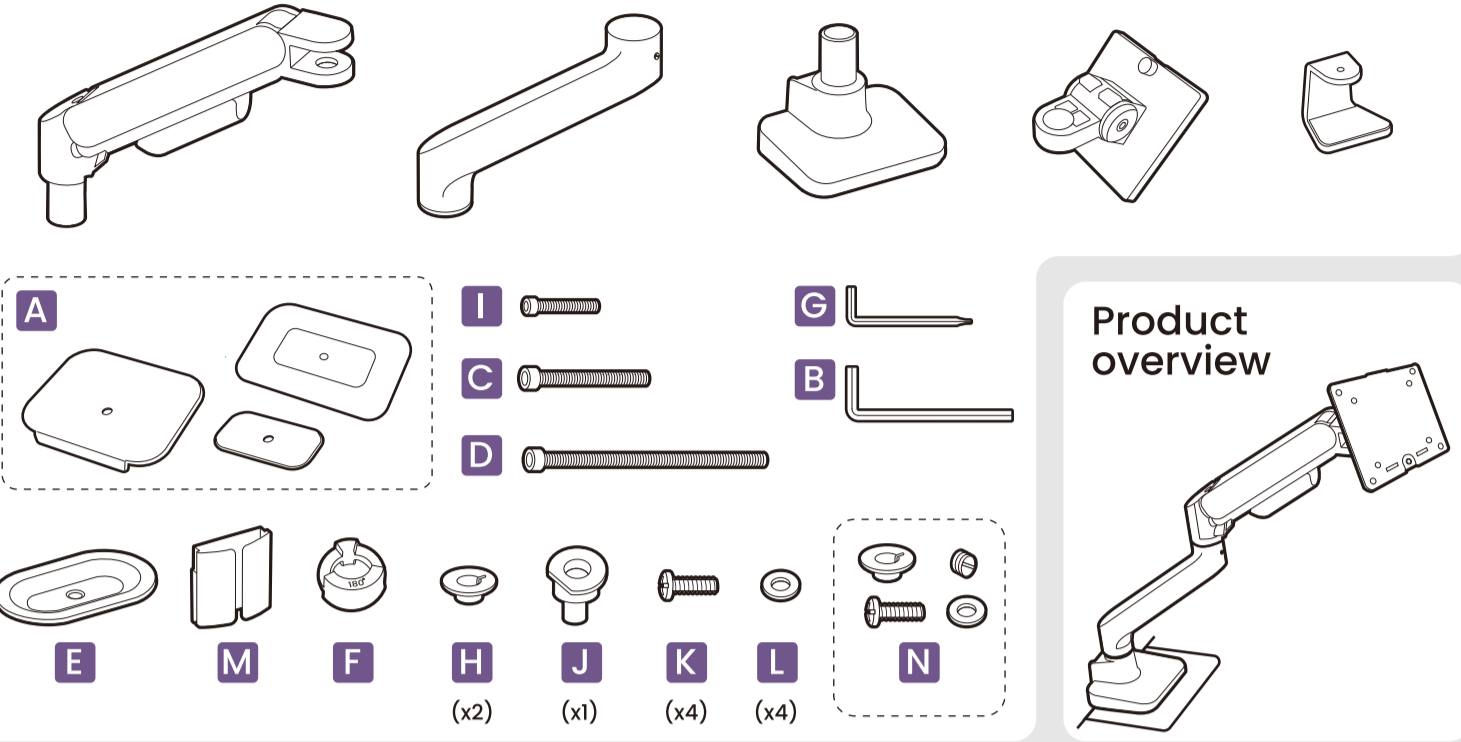
Easy start
 かんたんスタート
 Schnellstart
 Démarrage facile

Monitor Accessory Quick Start Guide

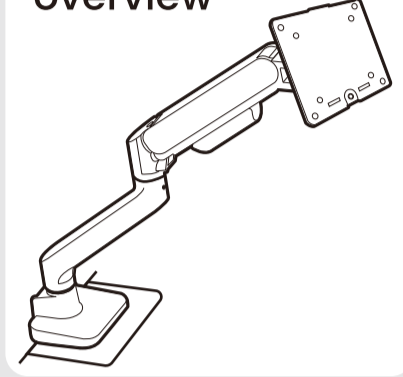
Ergo Arm | BSH02

DN:BSH02-EQ-V3

Package contents

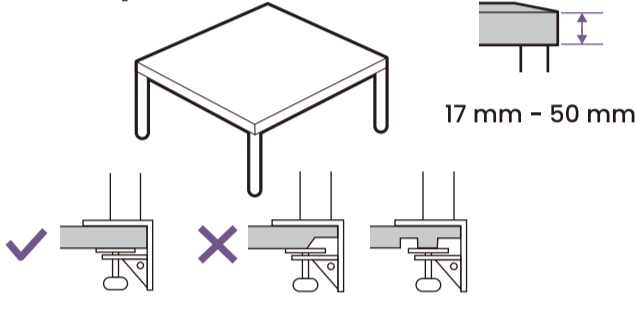


Product overview

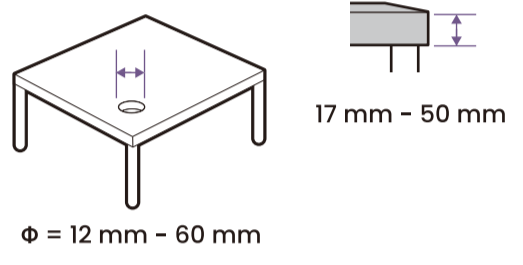


1 Mounting options

A. Clamp



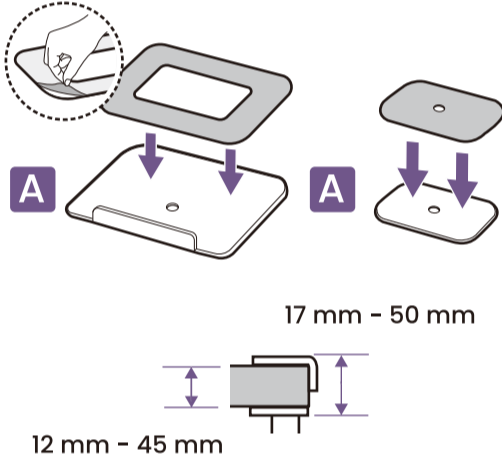
B. Grommet



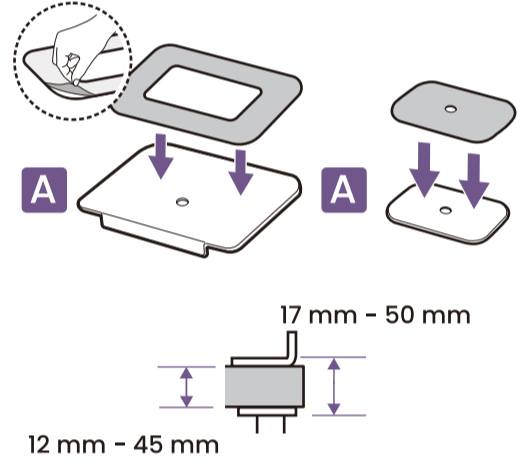
2 Desk protection (recommended)

Required for glass or fragile tabletops.
 Use reinforcement plates to protect tabletops and enhance stability.

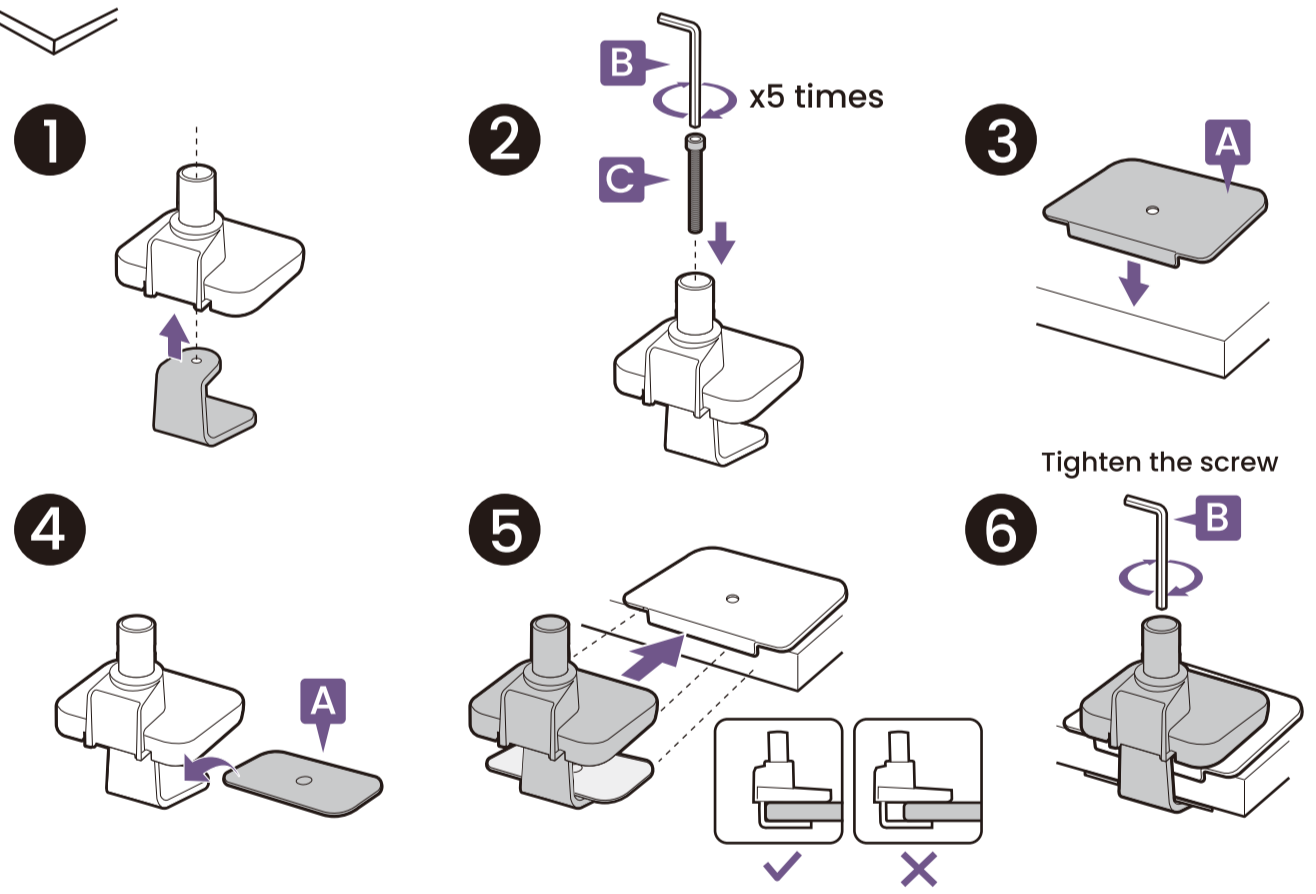
A. Clamp



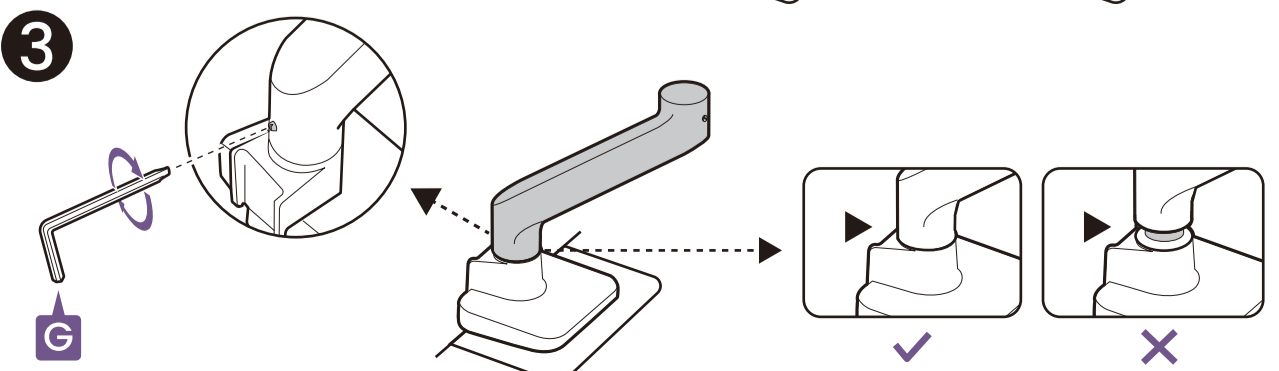
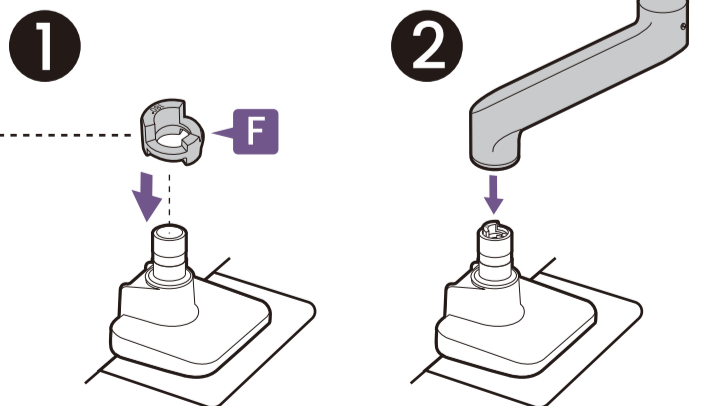
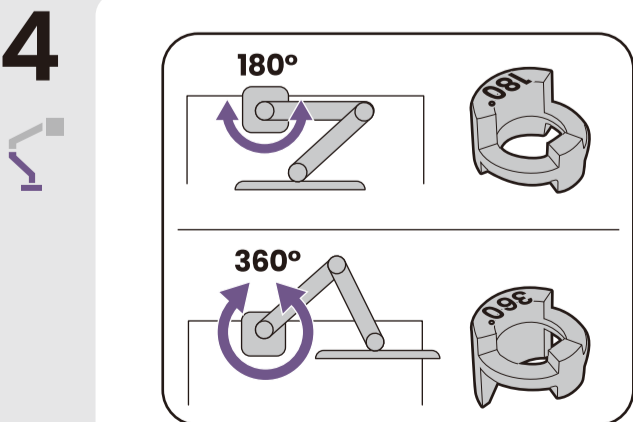
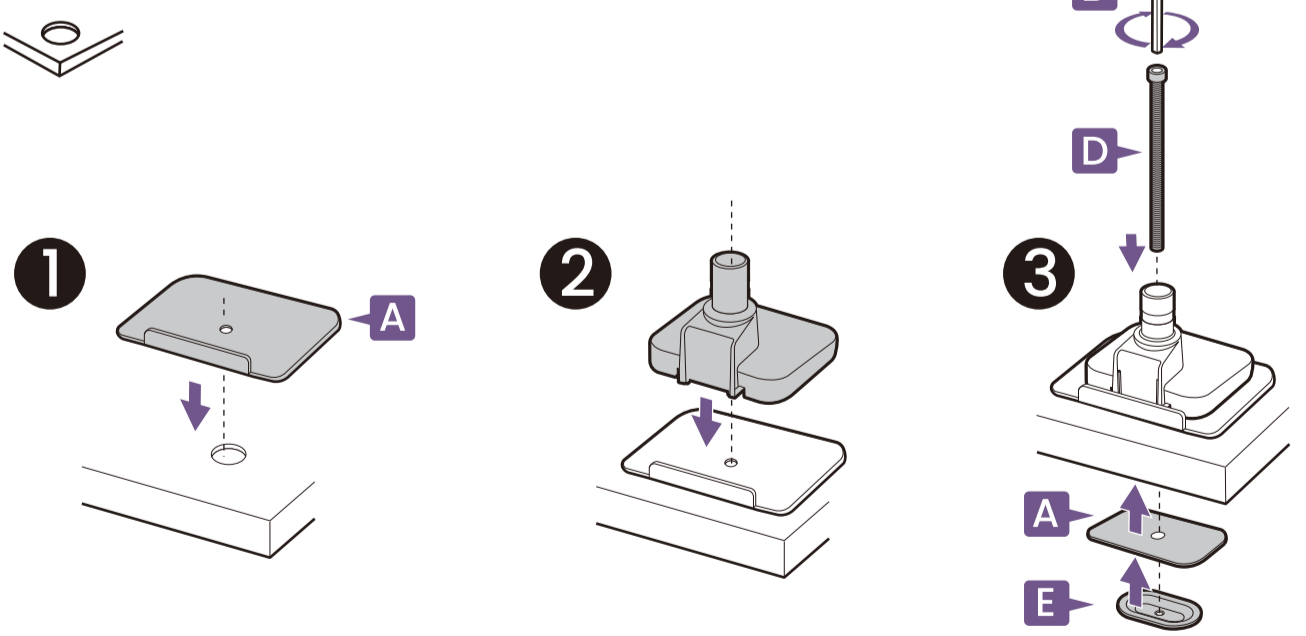
B. Grommet

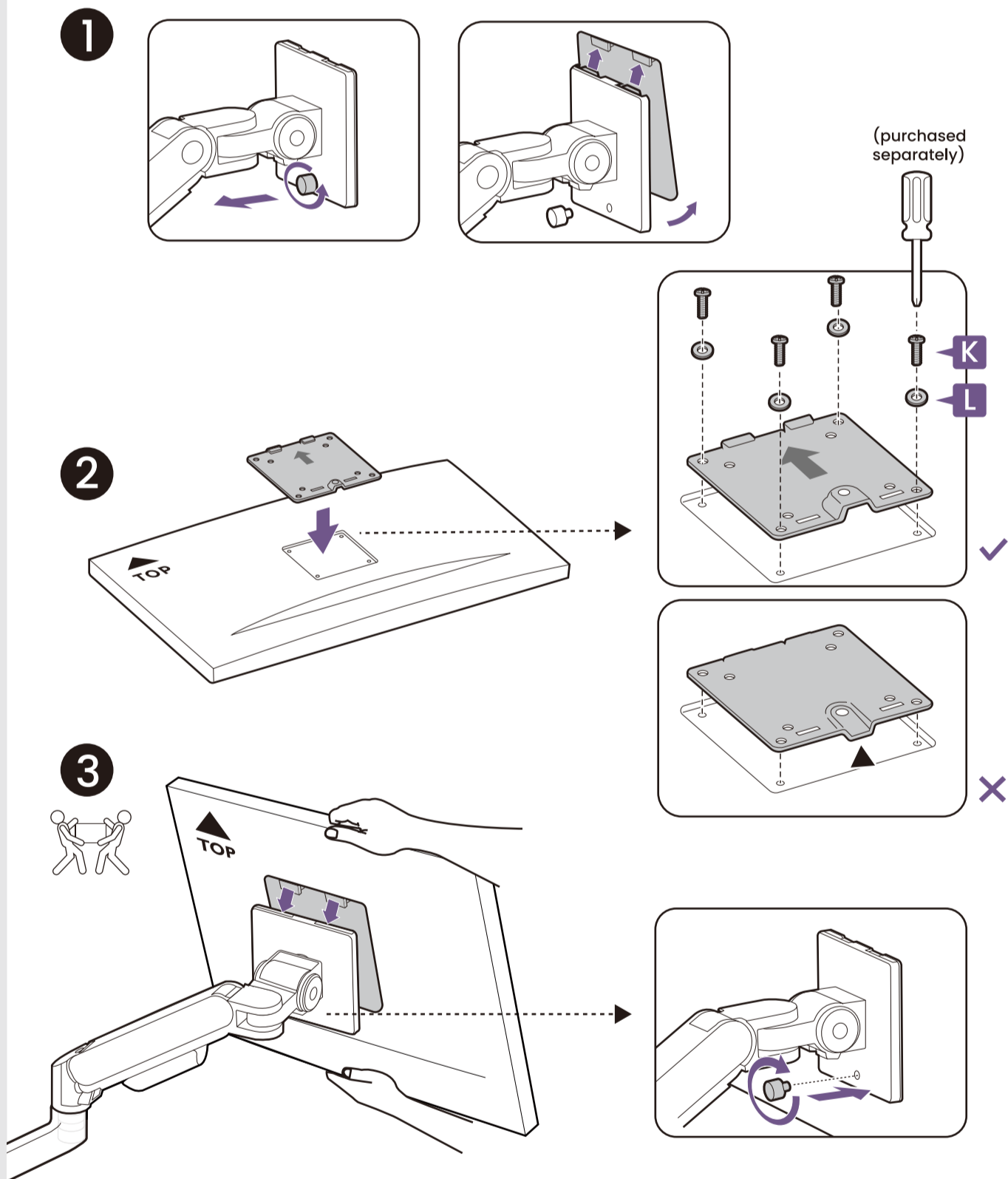
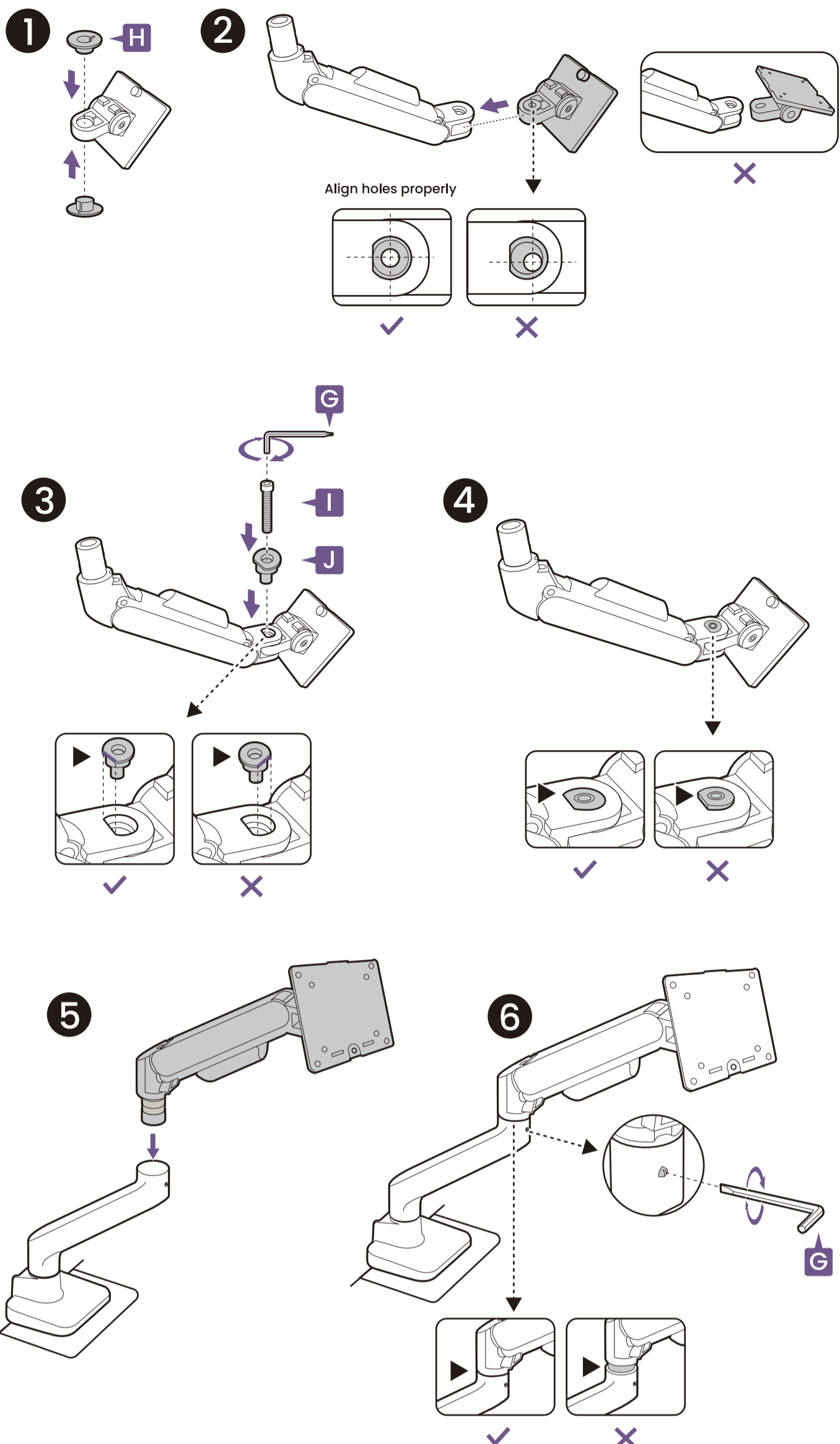


3 A. Clamp



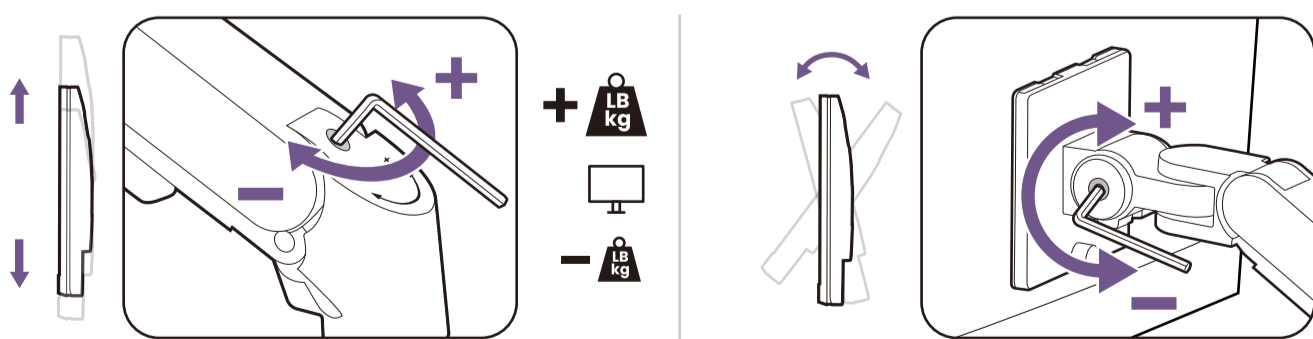
B. Grommet





Force adjustment

Try to lift, lower, or tilt the monitor. If it does not stay at the preferred height/angle, make adjustment as illustrated.



Cable management (optional)

