

BenQ



Easy start with videos



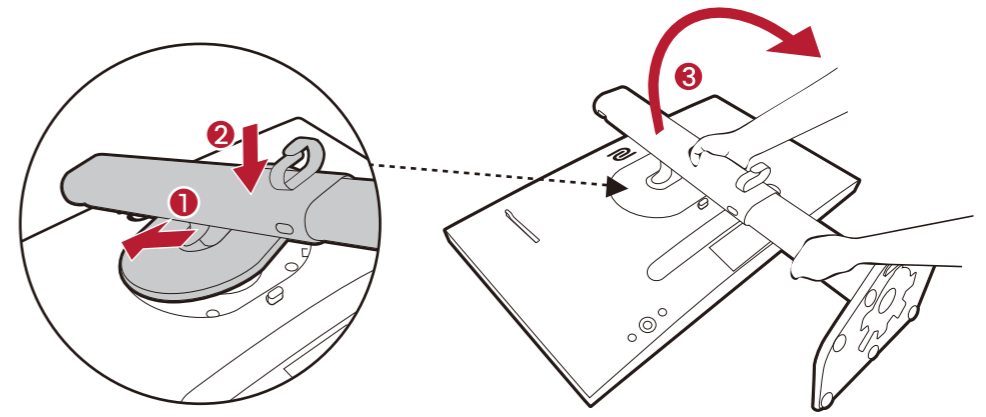
# XL MONITOR FOR e-SPORTS

XL Series Quick Start Guide

DN:XL2546X+-EQ-V0

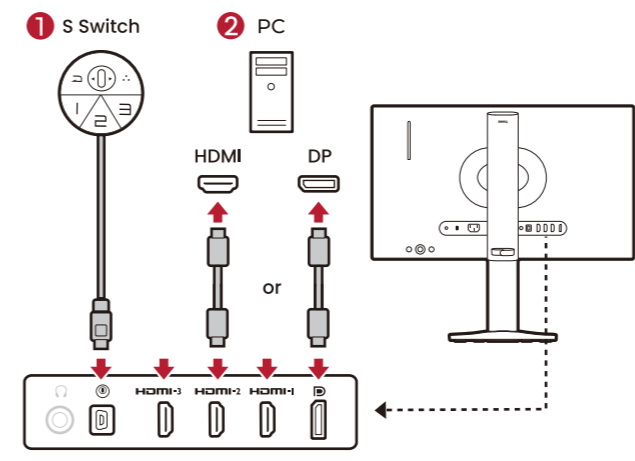
© 2024 BenQ Corporation. All rights reserved. Rights of modification reserved.

4



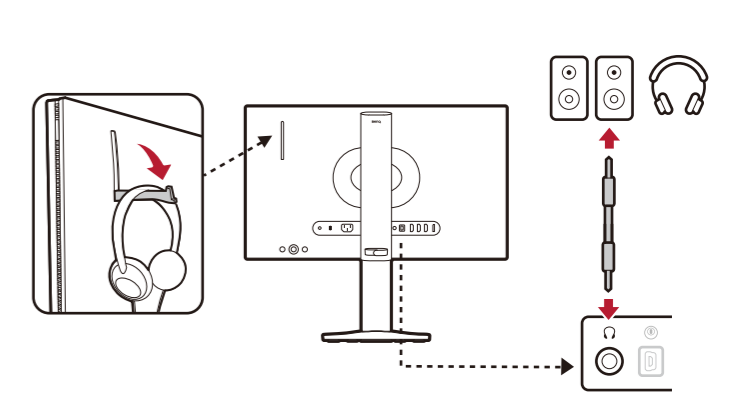
5

Video & S Switch

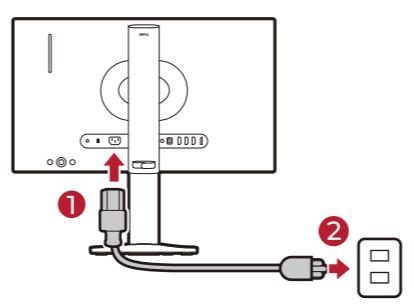


6

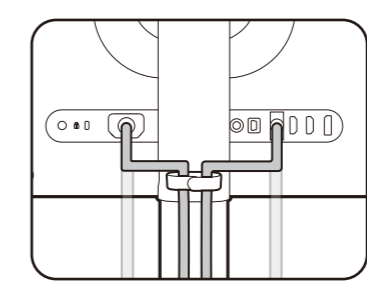
Audio



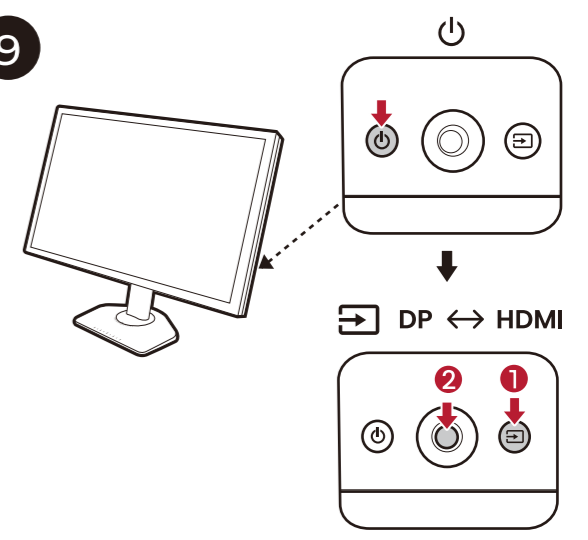
7



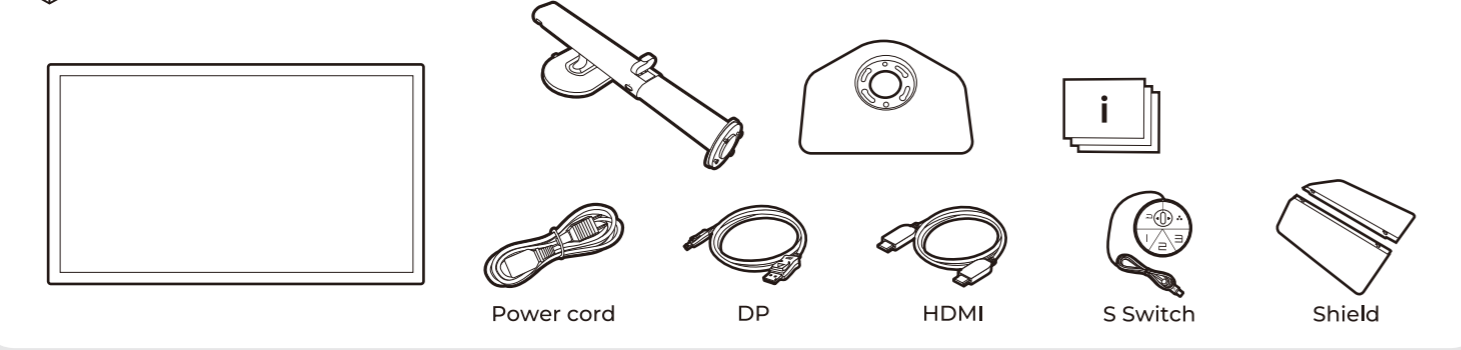
8



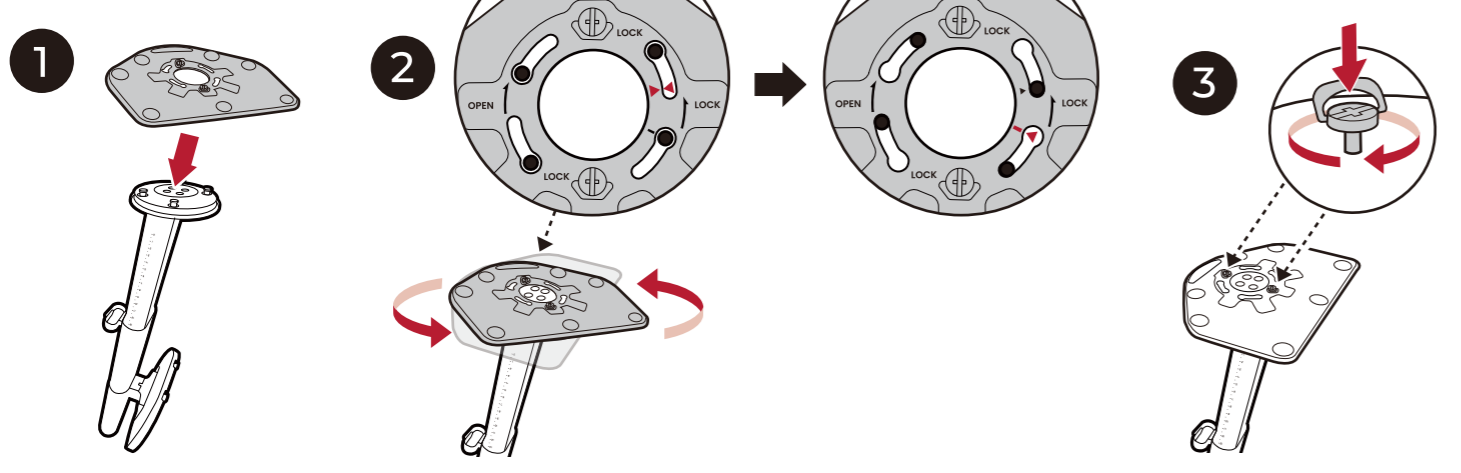
9



## Package contents



## Setup



## ZOWIE's Esports Monitors Strive for Perfection

**S Switch**

Quick Settings Access

CS2 mode | VALORANT mode | APEX mode

**ZOWIE's Esports Monitors Strive for Perfection**

**ZOWIE's Esports Monitors Strive for Perfection**

ZOWIE.BenQ.com

Monitor

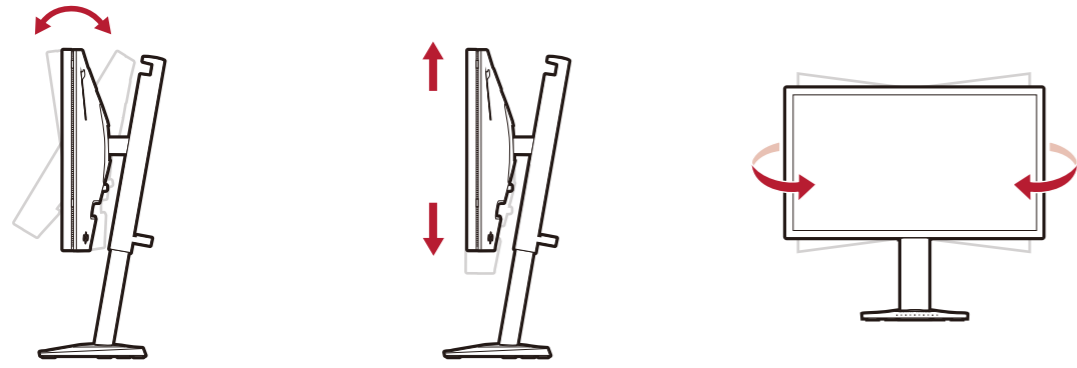
XL Setting to Share™

See What Pro Players See

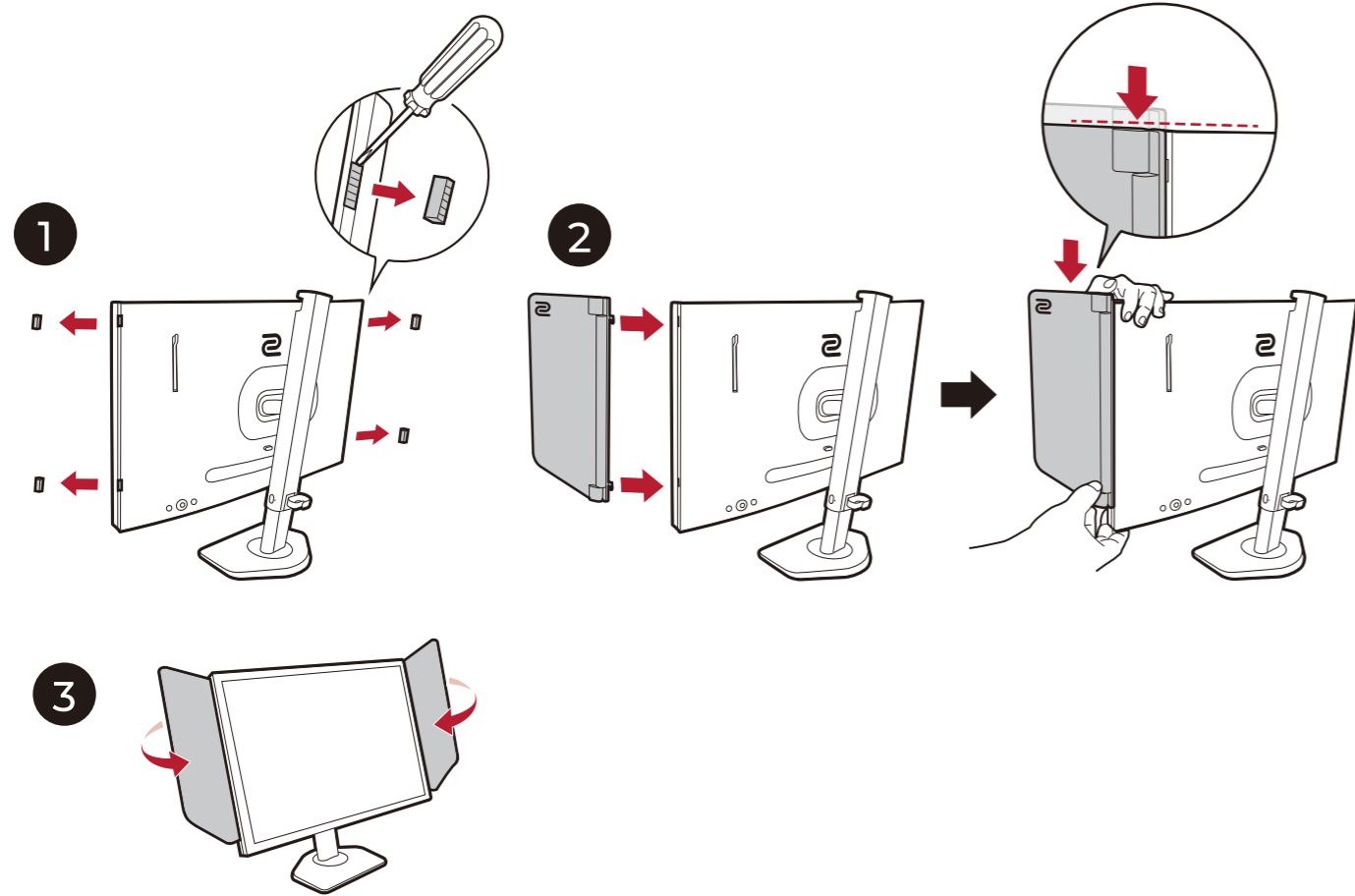
Auto Game Mode

AUTO

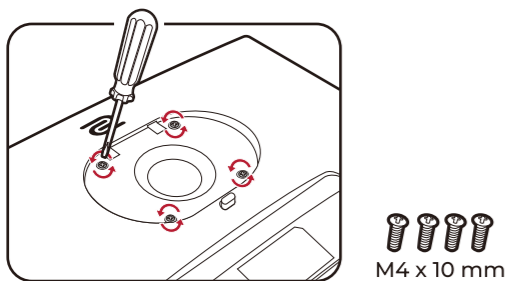
### Angle adjustment and rotation



### Installing the Shield (optional step)



### VESA mounting (100x100)



The terms HDMI, HDMI High-Definition Multimedia Interface, HDMI Trade Dress and the HDMI logos are trademarks or registered trademarks of HDMI Licensing Administrator, Inc.