

**BenQ**

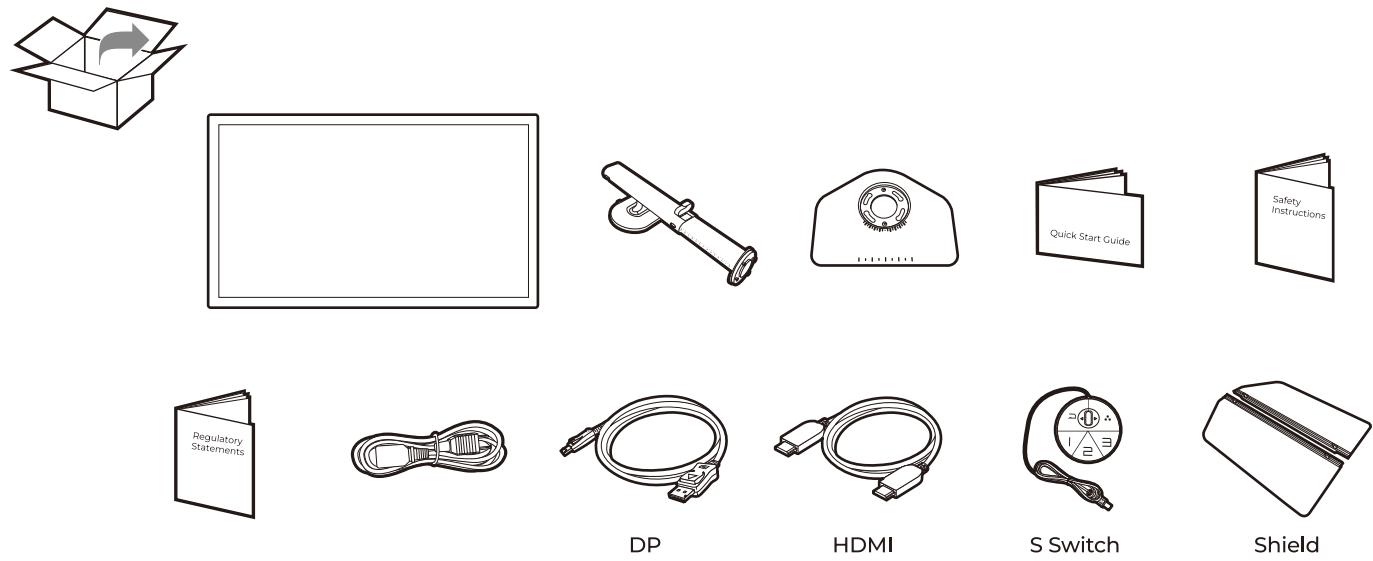
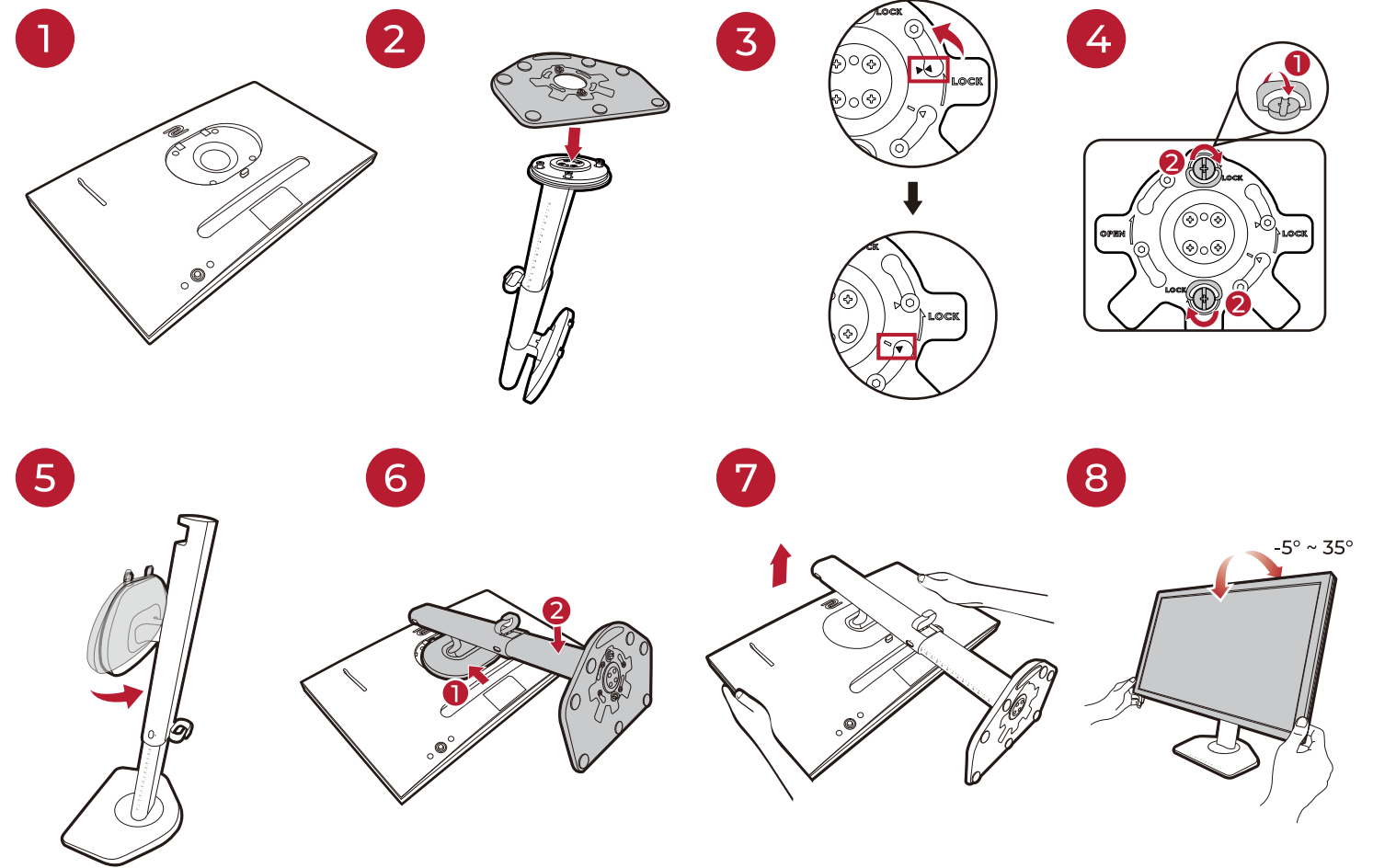


**XL**  
**MONITOR FOR**  
**e-SPORTS**

XL Series  
Quick Start Guide

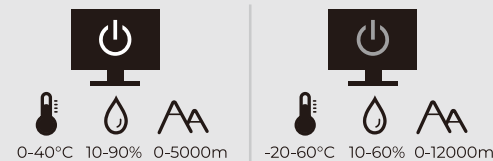
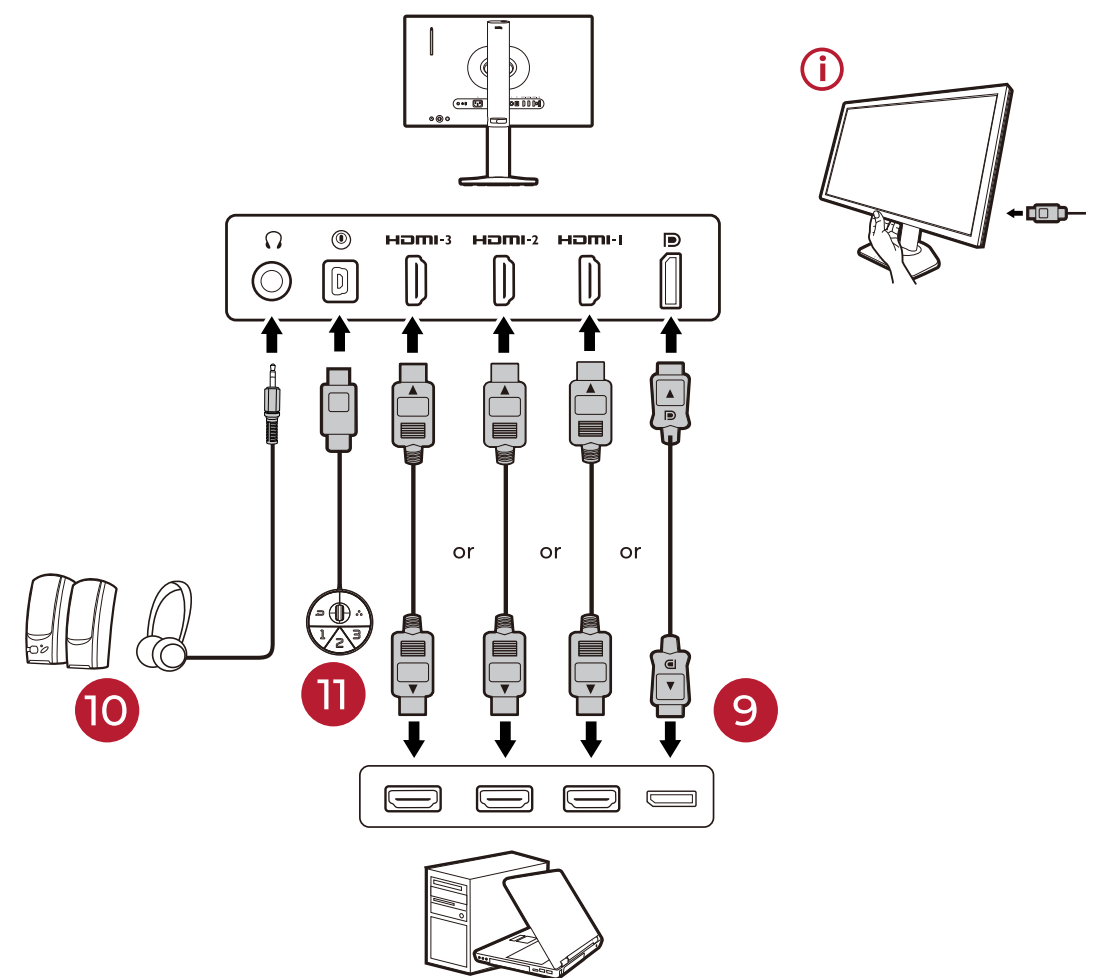
DN:XL25X-EQ-V2

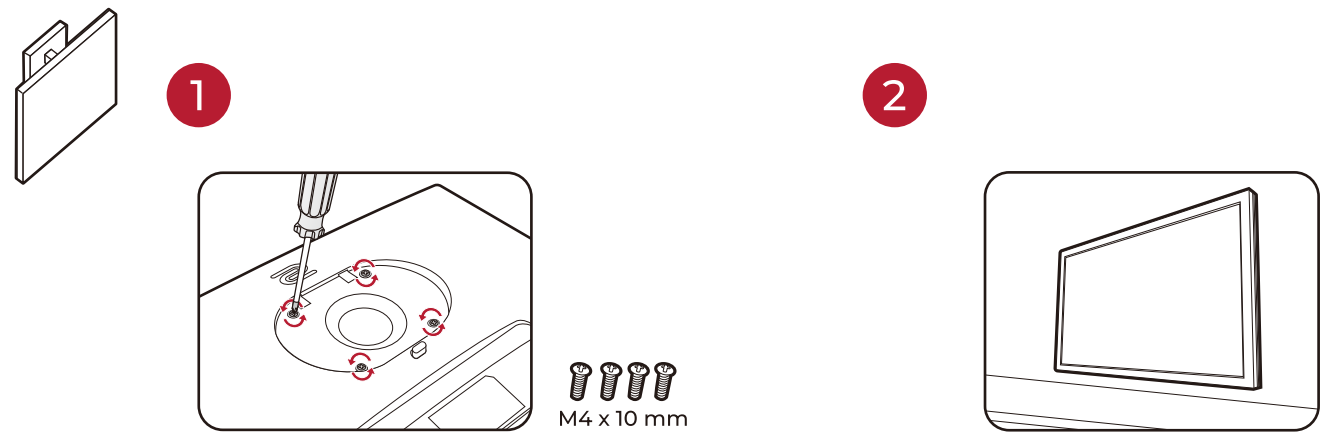
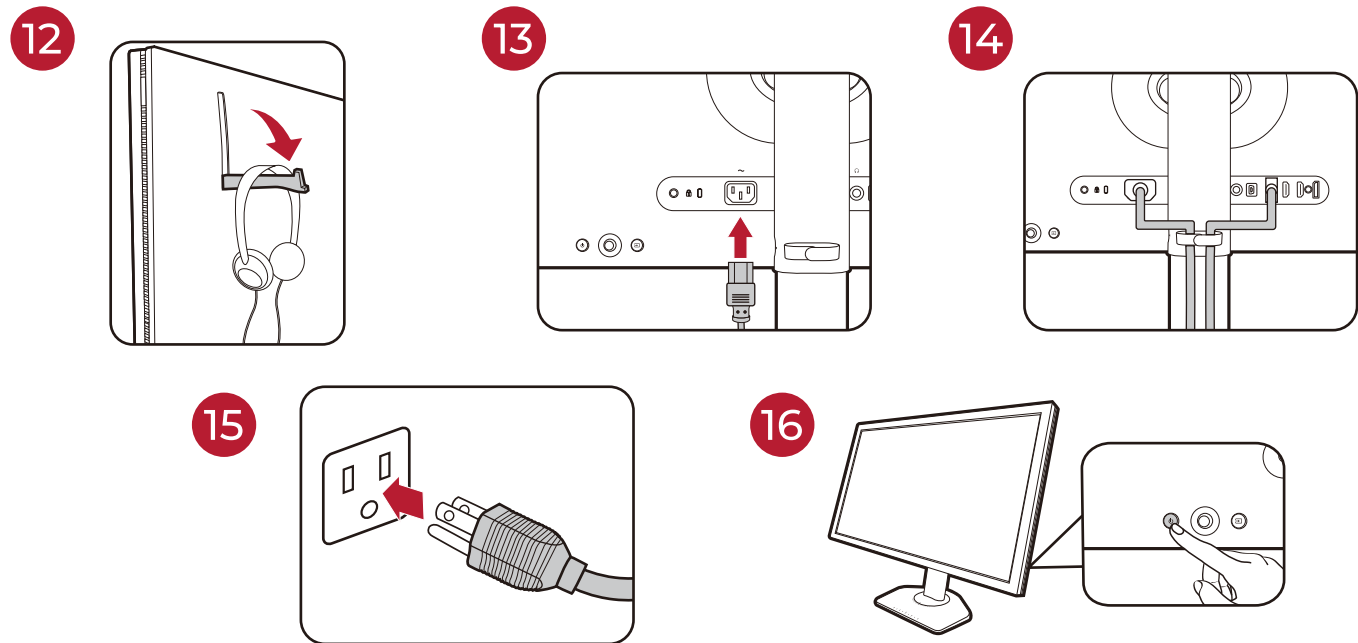
© 2024 BenQ Corporation. All rights reserved. Rights of modification reserved.



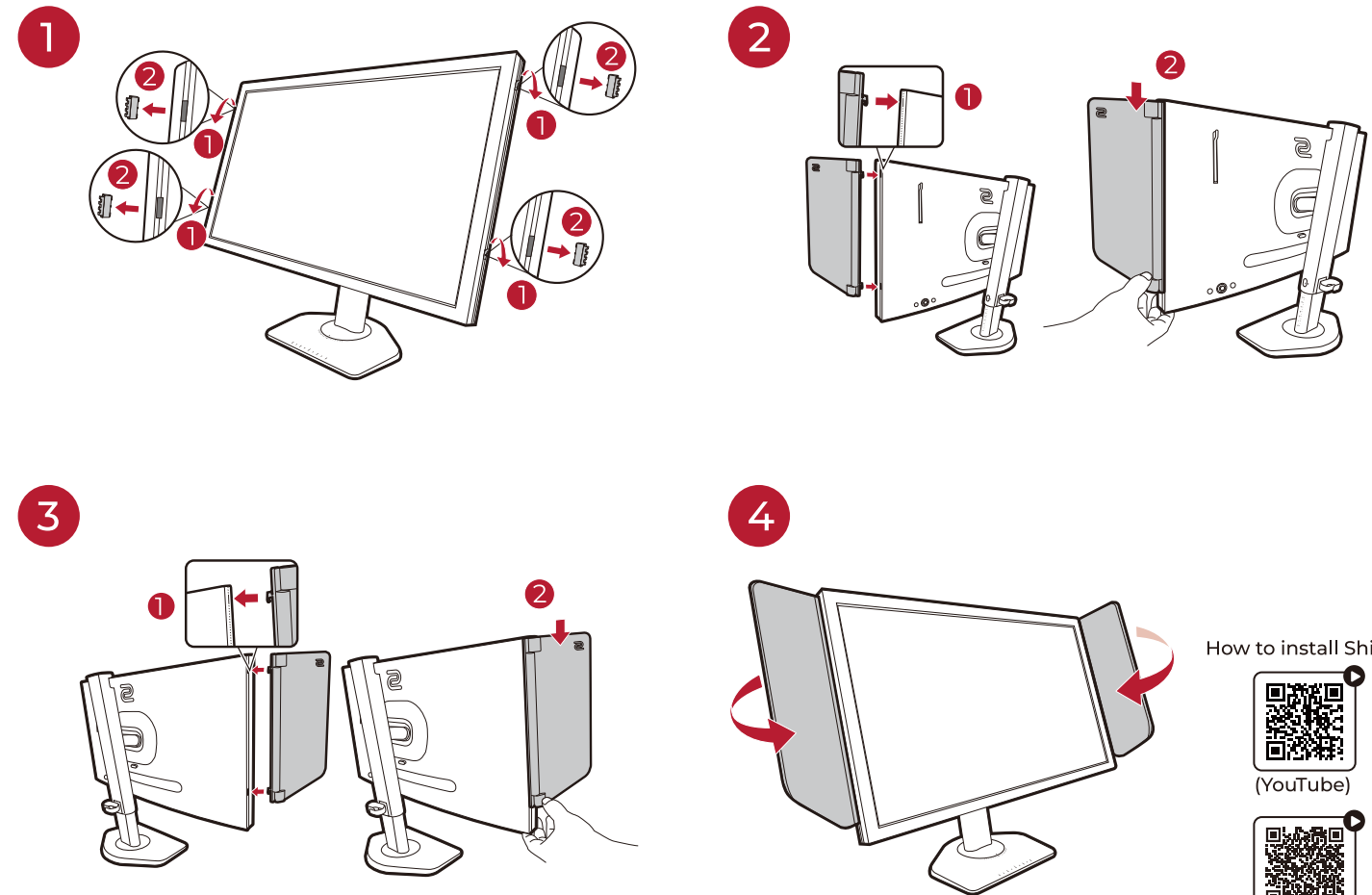
The terms HDMI, HDMI High-Definition Multimedia Interface, HDMI Trade Dress and the HDMI logos are trademarks or registered trademarks of HDMI Licensing Administrator, Inc.

- 9** Video
- 10** Audio
- 11** S Switch





Installing the Shield (optional step)



How to install Shields

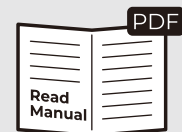
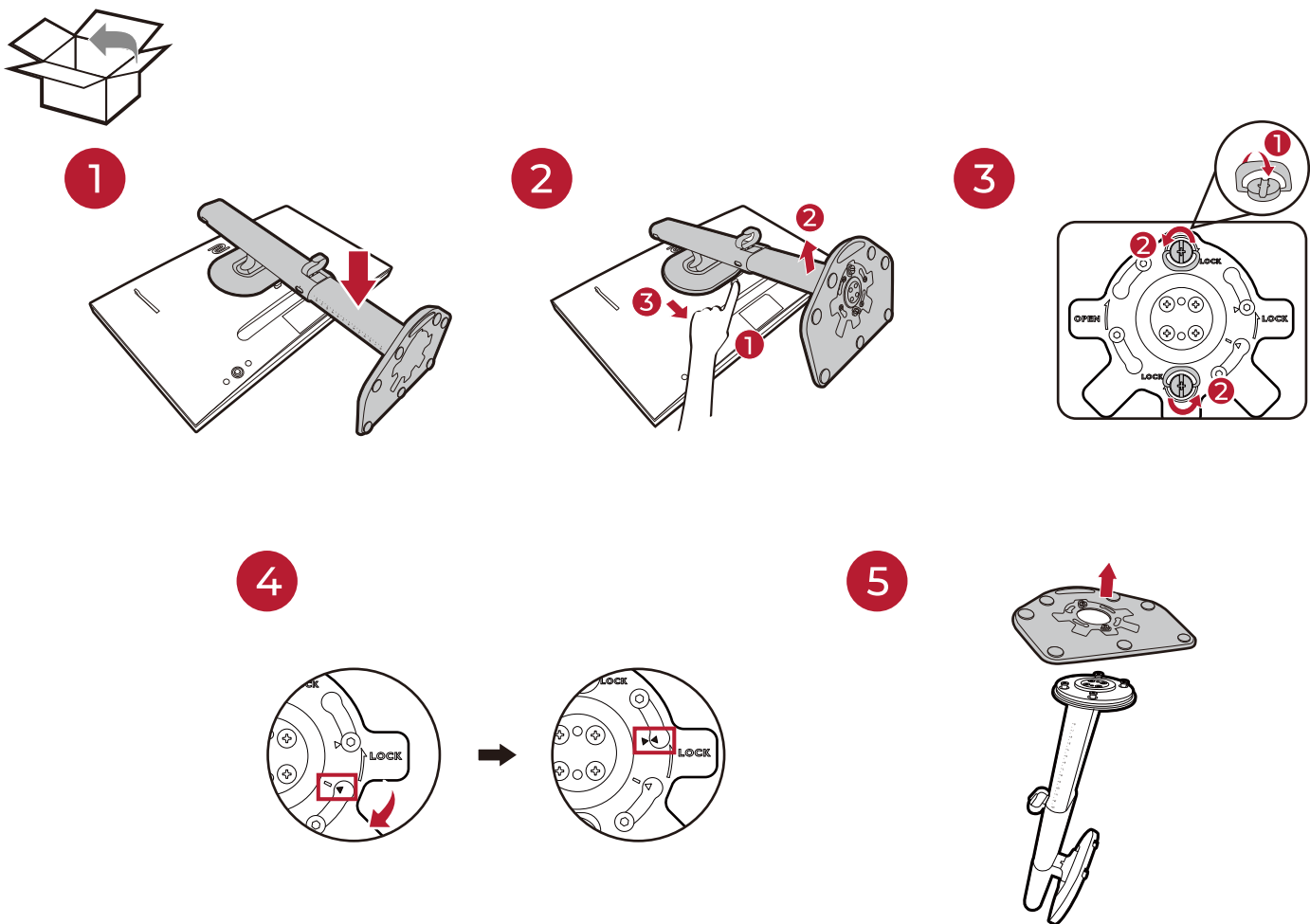


(YouTube)



(Bilibili)

Software installation  
XL Setting to Share™: Easily sharing monitor settings and managing color modes for game titles



zowiesupport.benq.com >  
Downloads > Model name >  
User Manual

For product support and more information



Official Website



ZOWIE e-Sports on YouTube



ZOWIE GEAR on Bilibili